

# SSC Series – Bare Tube Bundle Shell & Tube Water to Oil Cooling

The SSC Series features all stainless steel construction. The proven fixed tubesheet design shell and tube heat exchanger offers the cost effectiveness that comes with having a highly standard design, while easily providing for various options to meet specific application requirements. Custom models are also available.

TTP's XSelector® sizing program can be used to help optimize the sizing of the cooler for better performance and value.



**OPTIONS**  
For ASME/TEMAC/CRN ratings consult factory

## How to Order

### Model Series

**SSC** - NPT Shell side connections x NPT Tube side connections  
**SSCS** - SAE O-Ring Shell side connections x NPT Tube side connections  
**SSCM** - BSPP Shell side connections x BSPP Tube side connections

### Model Size Selected

**614, 624, 814, 824, 836, 1014, 1024, 1036, 1224, 1236, 1248, 1260, 1724, 1736, 1748, 1760, 1772**  
 (See Performance Curve Chart on page 3 for sizes)

### Baffle Spacing

**1.3, 1.7, 2, 2.5, 3, 3.5, 4, 5, 6, 8.4**  
 (See Performance Curve Chart on page 3 for options)

### Tube Diameter Code

**4** - 1/4"  
 (standard for 600 & 800 Series)  
**6** - 3/8"  
 (standard for 1000, 1200 & 1700 Series)

### Tubeside

**O** - One Pass  
**T** - Two Pass  
**F** - Four Pass

## Features

**Interchangeable with TTP C and HC Series**

**All 316 Stainless Steel construction**

**Multiple Connections**

- NPT x NPT
- SAE x NPT
- BSPP x BSP

**End Bonnets removable for servicing**  
**Mounting feet included (May be rotated in 90° increments)**

**Special ASME/TEMAC/CRN consult factory**

## Ratings

**Maximum Operating Pressure - Shell Side** 300 PSI\*

**Maximum Operating Pressure - Tube Side** 150 PSI

**Maximum Operating Temperature** 300°F

**Heat Removal** Up to 350 HP (260 KW)  
**Oil Flow Rates** Up to 160 U.S. GPM (350 L/MIN)

## Materials

**Tubes** 316 Stainless steel

**Tubesheets** 316L Stainless steel

**Shell** 316L Stainless steel

**Shell Connections** 316L Stainless steel

**Baffles** 316 Stainless steel

**End Bonnets** 316 Stainless steel

**Mounting Brackets** Mild steel

**Gaskets** Nitrile rubber/cellulose fiber

**Nameplate** Aluminum foil

\* To register for XSelector® please go to [www.thermaltransfer.com/get-in-touch/](http://www.thermaltransfer.com/get-in-touch/) and complete the XSelector® Inquiry form and submit.

Download the XSelector® for both Apple and Android formats by searching for XSelector® in their App Stores. You must first register for XSelector® before using it on mobile devices.

\*\* For Salt Water applications a Zinc Anode needs to be plumbed in the water inlet of the cooler to prevent corrosion.

# Selection Procedure

Performance Curves are based on 100SSU oil leaving the cooler 40°F higher than the incoming water temperature (40°F approach temperature). Curves are based on a 2:1 oil to water ratio.

**STEP 1 Determine the Heat Load.** This will vary with different systems, but typically coolers are sized to remove 25 to 50% of the input nameplate horsepower. (Example: 100 HP Power Unit x .33 = 33 HP Heat load.)  
If BTU/HR is known:  $HP = \frac{BTU/HR}{2545}$

**STEP 2 Determine Approach Temperature.**  
Desired oil leaving cooler °F – Water Inlet temp. °F = Actual Approach

**STEP 3 Determine Curve Horsepower Heat Load.** Enter the information from above:  
 $HP \text{ heat load} \times \frac{40}{\text{Actual Approach}} \times \frac{\text{Viscosity}}{\text{Correction A}} = \text{Curve Horsepower}$

**STEP 4 Enter curves** at oil flow through cooler and curve horsepower. Any curve above the intersecting point will work.

**STEP 5 Determine Oil Pressure Drop from Curves.** Multiply pressure drop from curve by correction factor B found on oil viscosity correction curve.  
● = 5 PSI   ■ = 10 PSI   ▲ = 20 PSI

## Oil Temperature

Oil coolers can be selected by using entering or leaving oil temperatures.

Typical operating temperature ranges are:

Hydraulic Motor Oil	110°F - 130°F
Hydrostatic Drive Oil	130°F - 180°F
Lube Oil Circuits	110°F - 130°F
Automatic Transmission Fluid	200°F - 300°F

## Desired Reservoir Temperature

**Return Line Cooling:** Desired temperature is the oil temperature leaving the cooler. This will be the same temperature that will be found in the reservoir.

**Off-Line Recirculation Cooling Loop:** Desired temperature is the temperature entering the cooler. In this case, the oil temperature change must be determined so that the actual oil leaving temperature can be found. Calculate the oil temperature change (Oil #T) with this formula:

$$\text{Oil \#T} = (\text{BTUs/HR}) / (\text{GPM Oil Flow} \times 210)$$

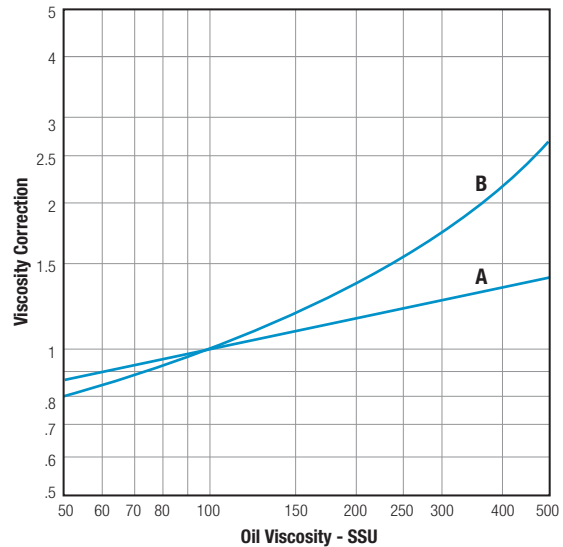
To calculate the oil leaving temperature from the cooler, use this formula:

$$\text{Oil Leaving Temperature} = \text{Oil Entering Temperature} - \text{Oil \#T}$$

This formula may also be used in any application where the only temperature available is the entering oil temperature.

**Oil Pressure Drop:** Most systems can tolerate a pressure drop through the heat exchanger of 20 to 30 PSI. Excessive pressure drop should be avoided. Care should be taken to limit pressure drop to 5 PSI or less for case drain applications where high back pressure may damage the pump shaft seals.

## Viscosity Correction



## Maximum Flow Rates

Example Model No.  
**SSC - 1024 - 2 - 6 - F**

Unit Size	Baffle Spacing	Shell Side (GPM)	Tube Side (GPM)		
			O	T	F
600	1.3, 3	19, 29	48	24	12
800	1.7, 4	32, 69	84	42	21
1000	2, 5	41, 69	146	73	37
1200	2.5, 6	60, 115	224	112	56
1700	3.5, 8.4	125, 253	465	232	116

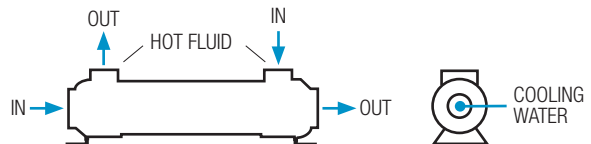
### Exceptions to Maximum Shell Side Flows

SSC-814-4-4-*	63 GPM Max.
SSC-1014-2-6-*	33 GPM Max.
SSC-1014-5-6-*	66 GPM Max.
SSC-1724-3.5-6-*	105 GPM Max.
SSC-1724-8.4-6-*	200 GPM Max.

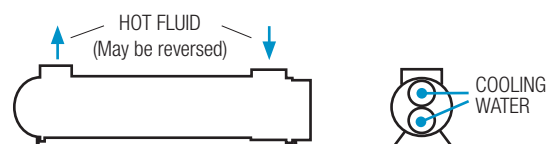
**Caution:** Incorrect installation can cause this product to fail prematurely, causing the shell side and tube side fluids to intermix.

## Piping Diagram

### One Pass



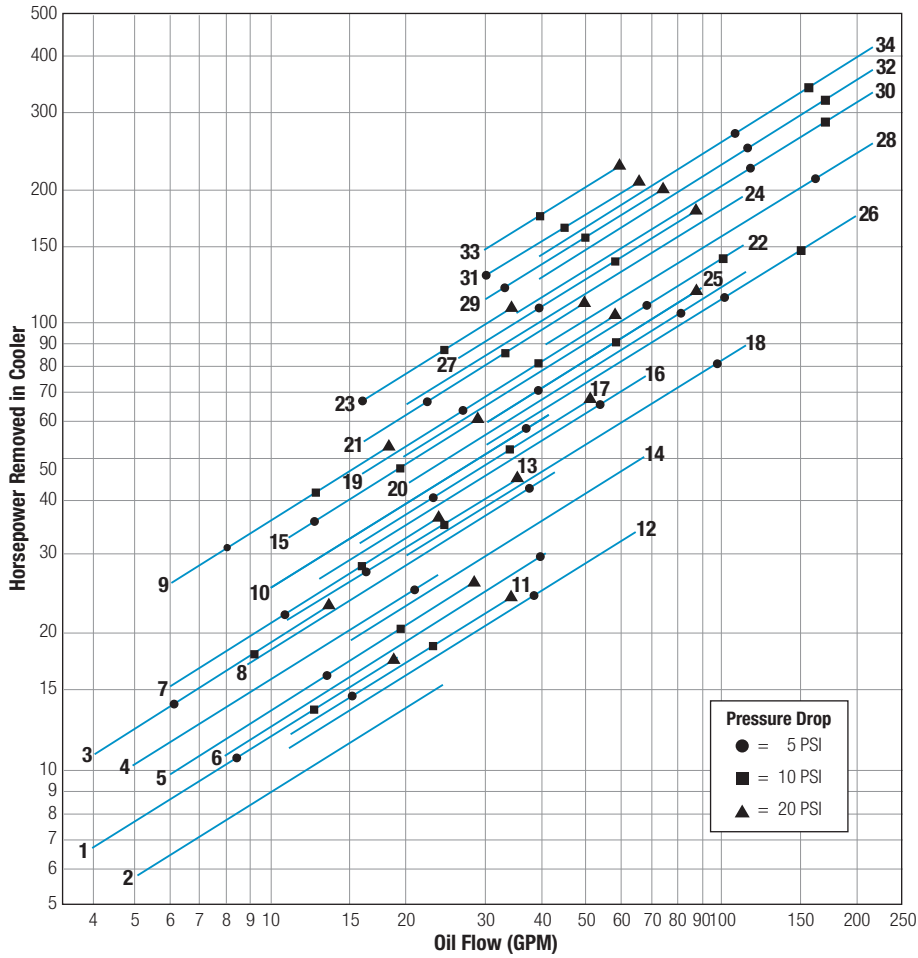
### Two and Four Pass



Specific applications may have different piping arrangements. Contact factory for assistance.

# Performance Curves

For additional sizing information consider using TTP's **XSelector**® online sizing Program.\*



Curve Number	Model	Shipping Weight (LBS)
1	SSC-614-1.3-4-F	17
2	SSC-614-3-4-F	17
3	SSC-624-1.3-4-F	24
4	SSC-624-3-4-F	24
5	SSC-814-1.7-4-F	32
6	SSC-814-4-4-F	32
7	SSC-824-1.7-4-F	41
8	SSC-824-4-4-F	41
9	SSC-836-1.7-4-F	53
10	SSC-836-4-4-F	53
11	SSC-1014-2-6-F	43
12	SSC-1014-5-6-F	43
13	SSC-1024-2-6-F	57
14	SSC-1024-5-6-F	57
15	SSC-1036-2-6-F	72
16	SSC-1036-5-6-F	72
17	SSC-1224-2.5-6-F	85
18	SSC-1224-6-6-F	85
19	SSC-1236-2.5-6-F	110
20	SSC-1236-6-6-F	110
21	SSC-1248-2.5-6-F	135
22	SSC-1248-6-6-F	135
23	SSC-1260-2.5-6-F	160
24	SSC-1260-6-6-F	160
25	SSC-1724-3.5-6-F	140
26	SSC-1724-8.4-6-F	140
27	SSC-1736-3.5-6-F	180
28	SSC-1736-8.4-6-F	180
29	SSC-1748-3.5-6-F	220
30	SSC-1748-8.4-6-F	220
31	SSC-1760-3.5-6-F	260
32	SSC-1760-8.4-6-F	260
33	SSC-1772-3.5-6-F	300
34	SSC-1772-8.4-6-F	300

Shipping weights are approximate.

\* To register for **XSelector**® please go to [www.thermaltransfer.com/get-in-touch/](http://www.thermaltransfer.com/get-in-touch/) and complete the **XSelector**® Inquiry form and submit.

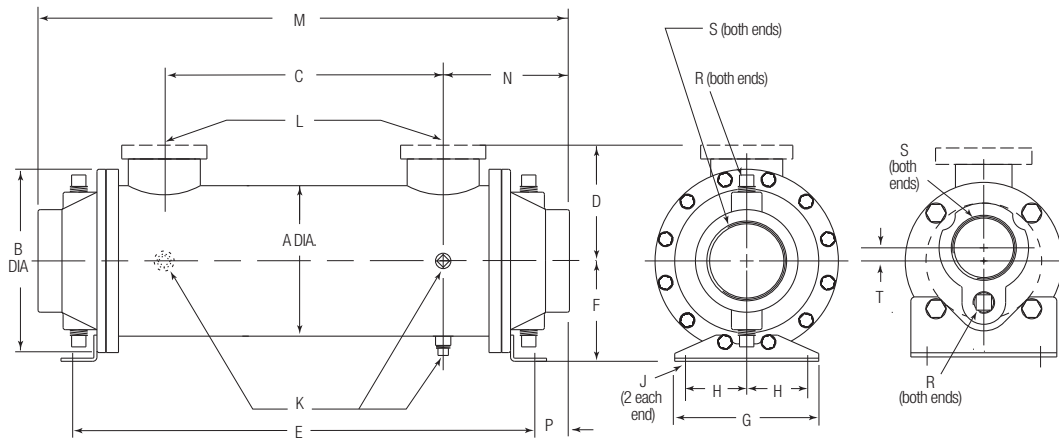
Download the **XSelector**® for both Apple and Android formats by searching for **XSelector**® in their App Stores. You must first register for **XSelector**® before using it on mobile devices.

\*\* For Salt Water applications a Zinc Anode needs to be plumbed in the water inlet of the cooler to prevent corrosion.

# Dimensions

For 3D models and spec sheets visit the SSC product page on our website. <https://www.thermaltransfer.com/product/ssc-series>

## One Pass



All models except SSC-600

SSC-600

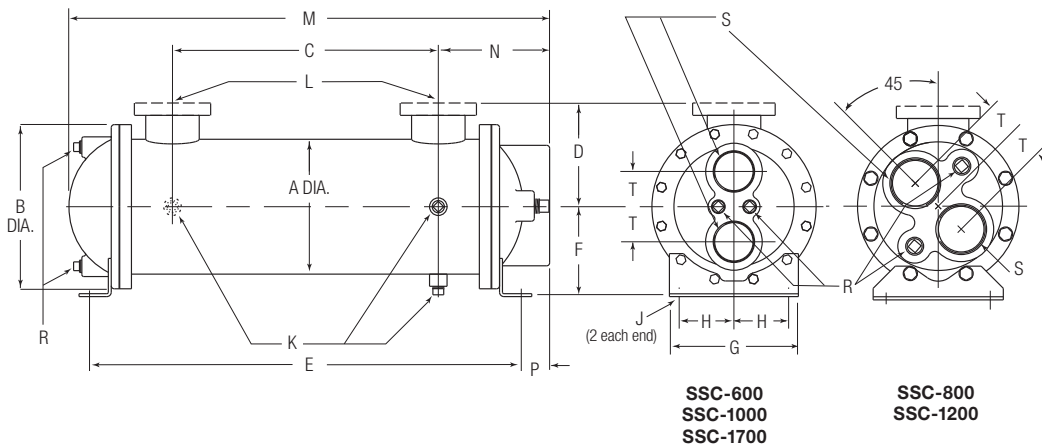
Model	A	B	C	D		E	F	G	H	J	K NPT	L		M	N	P	R NPT	S NPT/ BSPP	T
				NPT/ BSPP SAE O-Ring	SAE Flange							NPT/ BSPP Flange	SAE O-Ring						
614	3.25	4.50	10.00	2.62	2.88	16.38	2.75	4.18	1.62	0.44 Dia.	0.25 (3)	1.00	#16 1 1/16-12 UNF-2B	17.18	3.59	0.40	0.38 (2)	1.50	0.38
624	3.25	4.50	20.00	2.62	2.88	26.38	2.75	4.18	1.62	0.44 Dia.	0.25 (3)	1.00		27.18	3.59	0.40	0.38 (2)	1.50	0.38
814	4.25	6.00	9.00	3.25	3.50	16.62	3.50	4.25	1.75	0.44 Dia.	0.25 (3)	1.50	#24 1 1/8-12 UNF-2B	17.88	4.44	0.63	0.38 (2)	2.00	—
824	4.25	6.00	19.00	3.25	3.50	26.62	3.50	4.25	1.75	0.44 Dia.	0.25 (3)	1.50		27.88	4.44	0.63	0.38 (2)	2.00	—
836	4.25	6.00	31.00	3.25	3.50	38.62	3.50	4.25	1.75	0.44 Dia.	0.25 (3)	1.50		39.88	4.44	0.63	0.38 (2)	2.00	—
1014	5.25	6.75	9.00	3.75	4.00	17.12	4.00	5.25	2.00	.50 x .75	0.25 (3)	1.50		19.09	5.05	0.92	.38 (4)	2.00	—
1024	5.25	6.75	19.00	3.75	4.00	27.12	4.00	5.25	2.00	.50 x .75	0.25 (3)	1.50	29.09	5.05	0.92	.38 (4)	2.00	—	
1036	5.25	6.75	31.00	3.75	4.00	39.12	4.00	5.25	2.00	.50 x .75	0.25 (3)	1.50	41.09	5.05	0.92	.38 (4)	2.00	—	
1224	6.25	7.75	18.25	4.25	4.88	27.13	4.50	6.25	2.50	.50 x .75	0.38 (3)	2.00	#32 2 1/2-12 UNF-2B	30.00	5.87	1.43	.50 (4)	3.00	—
1236	6.25	7.75	30.25	4.25	4.88	39.13	4.50	6.25	2.50	.50 x .75	0.38 (3)	2.00		42.00	5.87	1.43	.50 (4)	3.00	—
1248	6.25	7.75	42.25	4.25	4.88	51.13	4.50	6.25	2.50	.50 x .75	0.38 (3)	2.00		54.00	5.87	1.43	.50 (4)	3.00	—
1260	6.25	7.75	55.25	4.25	4.88	63.13	4.50	6.25	2.50	.50 x .75	0.38 (3)	2.00		66.00	5.87	1.43	.50 (4)	3.00	—
1724	8.62	10.50	17.00	5.84	6.81	27.50	5.75	8.25	3.50	.62 x .88	0.38 (3)	3.00	—	31.47	7.23	1.99	.50 (4)	4.00	—
1736	8.62	10.50	29.00	5.84	6.81	39.50	5.75	8.25	3.50	.62 x .88	0.38 (3)	3.00	—	43.47	7.23	1.99	.50 (4)	4.00	—
1748	8.62	10.50	41.00	5.84	6.81	51.50	5.75	8.25	3.50	.62 x .88	0.38 (3)	3.00	—	55.47	7.23	1.99	.50 (4)	4.00	—
1760	8.62	10.50	53.00	5.84	6.81	63.50	5.75	8.25	3.50	.62 x .88	0.38 (3)	3.00	—	67.47	7.23	1.99	.50 (4)	4.00	—
1772	8.62	10.50	65.00	5.84	6.81	75.50	5.75	8.25	3.50	.62 x .88	0.38 (3)	3.00	—	79.47	7.23	1.99	.50 (4)	4.00	—

NOTE: We reserve the right to make reasonable design changes without notice. Consult factory. All dimensions are inches.

# Dimensions

For 3D models and spec sheets visit the SSC product page on our website. <https://www.thermaltransfer.com/product/ssc-series>

## Two Pass



SSC-600  
SSC-1000  
SSC-1700

SSC-800  
SSC-1200

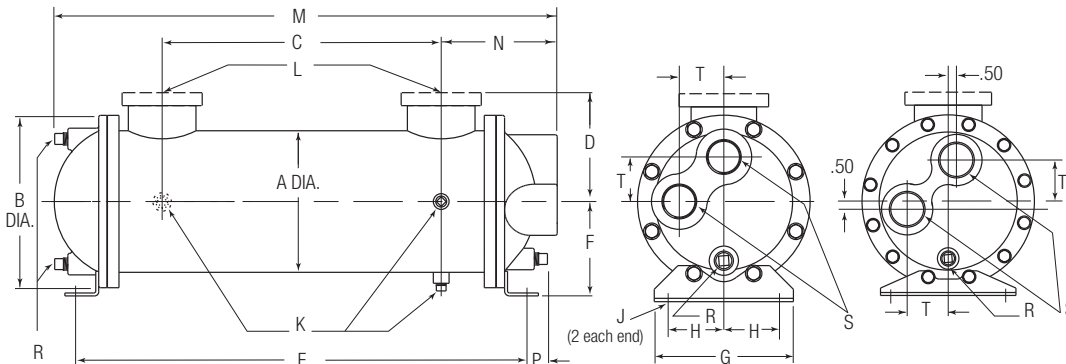
Model	A	B	C	D		E	F	G	H	J	K NPT	L		M	N	P	R NPT	S NPT/ BSPP	T
				NPT/ BSPP SAE O-Ring	SAE Flange							NPT/ BSPP Flange	SAE O-Ring						
614	3.25	4.50	10.00	2.62	2.88	16.38	2.75	4.18	1.62	0.44 Dia.	0.25 (3)	1.00	#16 1½-12 UNF-2B	17.12	3.56	0.38	0.38 (2)	1.50	1.00
624	3.25	4.50	20.00	2.62	2.88	26.38	2.75	4.18	1.62	0.44 Dia.	0.25 (3)	1.00		27.12	3.56	0.38	0.38 (2)	1.50	1.00
814	4.25	6.00	9.00	3.25	3.50	16.62	3.50	4.25	1.75	0.44 Dia.	0.25 (3)	1.50	#24 1⅞-12 UNF-2B	17.88	4.44	0.63	0.38 (2)	1.25	1.06
824	4.25	6.00	19.00	3.25	3.50	26.62	3.50	4.25	1.75	0.44 Dia.	0.25 (3)	1.50		27.88	4.44	0.63	0.38 (2)	1.25	1.06
836	4.25	6.00	31.00	3.25	3.50	38.62	3.50	4.25	1.75	0.44 Dia.	0.25 (3)	1.50		39.88	4.44	0.63	0.38 (2)	1.25	1.06
1014	5.25	6.75	9.00	3.75	4.00	17.12	4.00	5.25	2.00	.50 x .75	0.25 (3)	1.50		18.62	5.00	0.94	.38 (4)	1.50	1.50
1024	5.25	6.75	19.00	3.75	4.00	27.12	4.00	5.25	2.00	.50 x .75	0.25 (3)	1.50		28.62	5.00	0.94	.38 (4)	1.50	1.50
1036	5.25	6.75	31.00	3.75	4.00	39.12	4.00	5.25	2.00	.50 x .75	0.25 (3)	1.50		40.62	5.00	0.94	.38 (4)	1.50	1.50
1224	6.25	7.75	18.25	4.25	4.88	27.13	4.50	6.25	2.50	.50 x .75	0.38 (3)	2.00		#32 2½-12 UNF-2B	29.02	5.43	1.00	.50 (4)	2.00
1236	6.25	7.75	30.25	4.25	4.88	39.13	4.50	6.25	2.50	.50 x .75	0.38 (3)	2.00	41.03		5.43	1.00	.50 (4)	2.00	1.56
1248	6.25	7.75	42.25	4.25	4.88	51.13	4.50	6.25	2.50	.50 x .75	0.38 (3)	2.00	53.03		5.43	1.00	.50 (4)	2.00	1.56
1260	6.25	7.75	55.25	4.25	4.88	63.13	4.50	6.25	2.50	.50 x .75	0.38 (3)	2.00	65.03		5.43	1.00	.50 (4)	2.00	1.56
1724	8.62	10.50	17.00	5.84	6.81	27.50	5.75	8.25	3.50	.62 x .88	0.38 (3)	3.00	—		30.62	7.06	1.81	.50 (4)	2.50
1736	8.62	10.50	29.00	5.84	6.81	39.50	5.75	8.25	3.50	.62 x .88	0.38 (3)	3.00	—	42.62	7.06	1.81	.50 (4)	2.50	2.25
1748	8.62	10.50	41.00	5.84	6.81	51.50	5.75	8.25	3.50	.62 x .88	0.38 (3)	3.00	—	54.62	7.06	1.81	.50 (4)	2.50	2.25
1760	8.62	10.50	53.00	5.84	6.81	63.50	5.75	8.25	3.50	.62 x .88	0.38 (3)	3.00	—	66.62	7.06	1.81	.50 (4)	2.50	2.25
1772	8.62	10.50	65.00	5.84	6.81	75.50	5.75	8.25	3.50	.62 x .88	0.38 (3)	3.00	—	78.62	7.06	1.81	.50 (4)	2.50	2.25

NOTE: We reserve the right to make reasonable design changes without notice. Consult factory. All dimensions are inches.

# Dimensions

For 3D models and spec sheets visit the SSC product page on our website. <https://www.thermaltransfer.com/product/ssc-series>

## Four Pass



All models except  
SSC-1700

SSC-1700

Model	A	B	C	D		E	F	G	H	J	K NPT	L		M	N	P	R NPT	S NPT/ BSPP	T
				NPT/ BSPP SAE O-Ring	SAE Flange							NPT/ BSPP Flange	SAE O-Ring						
614	3.25	4.50	10.00	2.62	2.88	16.38	2.75	4.18	1.62	0.44 Dia.	.25 (3)	1.00	#16 1 <sup>1</sup> / <sub>16</sub> -12 UNF-2B	17.12	3.56	0.38	.38 (2)	.75	1.00
624	3.25	4.50	20.00	2.62	2.88	26.38	2.75	4.18	1.62	0.44 Dia.	.25 (3)	1.00	#16 1 <sup>1</sup> / <sub>16</sub> -12 UNF-2B	27.12	3.56	0.38	.38 (2)	.75	1.00
814	4.25	6.00	9.00	3.25	3.50	16.62	3.50	4.25	1.75	0.44 Dia.	.25 (3)	1.50	#24 1 <sup>1</sup> / <sub>16</sub> -12 UNF-2B	17.88	4.44	0.63	.38 (3)	.75	1.06
824	4.25	6.00	19.00	3.25	3.50	26.62	3.50	4.25	1.75	0.44 Dia.	.25 (3)	1.50		27.88	4.44	0.63	.38 (3)	.75	1.06
836	4.25	6.00	31.00	3.25	3.50	38.62	3.50	4.25	1.75	0.44 Dia.	.25 (3)	1.50		39.88	4.44	0.63	.38 (3)	.75	1.06
1014	5.25	6.75	9.00	3.75	4.00	17.12	4.00	5.25	2.00	.50 x .75	.25 (3)	1.50		18.81	4.81	0.75	.38 (3)	1.00	1.50
1024	5.25	6.75	19.00	3.75	4.00	27.12	4.00	5.25	2.00	.50 x .75	.25 (3)	1.50	28.81	4.81	0.75	.38 (3)	1.00	1.50	
1036	5.25	6.75	31.00	3.75	4.00	39.12	4.00	5.25	2.00	.50 x .75	.25 (3)	1.50	40.81	4.81	0.75	.38 (3)	1.00	1.50	
1224	6.25	7.75	18.25	4.25	4.88	27.13	4.50	6.25	2.50	.50 x .75	.38 (3)	2.00	#32 2 <sup>1</sup> / <sub>2</sub> -12 UNF-2B	29.13	5.44	1.00	.38 (3)	1.50	1.56
1236	6.25	7.75	30.25	4.25	4.88	39.13	4.50	6.25	2.50	.50 x .75	.38 (3)	2.00		41.13	5.44	1.00	.38 (3)	1.50	1.56
1248	6.25	7.75	42.25	4.25	4.88	51.13	4.50	6.25	2.50	.50 x .75	.38 (3)	2.00		53.13	5.44	1.00	.38 (3)	1.50	1.56
1260	6.25	7.75	55.25	4.25	4.88	63.13	4.50	6.25	2.50	.50 x .75	.38 (3)	2.00		65.13	5.44	1.00	.38 (3)	1.50	1.56
1724	8.62	10.50	17.00	5.84	6.81	27.50	5.75	8.25	3.50	.62 x .88	.38 (3)	3.00	—	29.86	7.06	1.81	.38 (3)	2.00	2.50
1736	8.62	10.50	29.00	5.84	6.81	39.50	5.75	8.25	3.50	.62 x .88	.38 (3)	3.00	—	41.86	7.06	1.81	.38 (3)	2.00	2.50
1748	8.62	10.50	41.00	5.84	6.81	51.50	5.75	8.25	3.50	.62 x .88	.38 (3)	3.00	—	53.86	7.06	1.81	.38 (3)	2.00	2.50
1760	8.62	10.50	53.00	5.84	6.81	63.50	5.75	8.25	3.50	.62 x .88	.38 (3)	3.00	—	65.86	7.06	1.81	.38 (3)	2.00	2.50
1772	8.62	10.50	65.00	5.84	6.81	75.50	5.75	8.25	3.50	.62 x .88	.38 (3)	3.00	—	77.86	7.06	1.81	.38 (3)	2.00	2.50

NOTE: We reserve the right to make reasonable design changes without notice. Consult factory. All dimensions are inches.



HydroThrift Corporation

1301 Sanders Ave SW

Massillon, OH 44647 USA

[sales@hydrothrift.com](mailto:sales@hydrothrift.com) 330-837-5141