

# Airtek to Thermal Transfer Products

Cross Reference Thermally Interchangeable-Not Dimensionally

CROSS REFERENCE

## Water Cooled Aftercoolers

Airtek Model Number	SCFM		Thermal Transfer Model Number	SCFM	
	Two Stage	Rotary		Two Stage	Rotary
810	85	100	AB-404-A4-O	80	110
820	160	185	AB-405-B4-O	150	205
835	185	220			
836	230	260	AB-705-B4-O	310	439
4048	260	325			
4060	430	550	AB-1006-B6-O	440	654
4072	520	650			
6048	460	575			
6060	750	937	AB-1206-C6-O	640	955
6072	1225	1531	AB-1207-C6-O	1250	1690
8048	750	937	AB-1206-C6-O	640	955
8060	1300	1625	AB-1207-C6-O	1250	1690
8072	2322	2902	AB-1607-D6-O	2100	3080

## Air Cooled Aftercoolers

Airtek Model Number	SCFM	Thermal Transfer Model Number	SCFM
401	25	AA-50	35
402	48	AA-50	50
403	80	AA-80	80
404	125	AA-120	120
406	185	AA-150	150
407	260	AA-300	300
408	365	AHP-400	450
409	560	AHP-725	640
411	650	AHP-725	
412	750	AHP-725	725
413	900	AHP-950	950
414	1100	AHP-1200	1200
416	1460	AHP-1600	1600
417	1800	AHP-2000	2000
418	2500	AHP-2500	2500
419	3000	AHP-3000	3000
421	3500	AHP-3500	3500

# Ametek, Ketema, Whitlock to Thermal Transfer Products

Type HT Cross Reference

Thermal Interchanges Only—Not Dimensionally

CROSS REFERENCE

Thermal Transfer				Whitlock (Ametek) Type HT					
Model Number		Surface Area (Ft. <sup>2</sup> )		Model Number		Surface Area (Ft. <sup>2</sup> )		Baffle Spacing	
1/4" OD	3/8" OD	1/4" OD	3/8" OD	1/4" OD	3/8" OD	W	Y	A	B
A-408-4	-	1.35	-	2W8	-	1.3	-	-	-
A-412-4*	-	2.0	-	2W12	-	2.0	-	-	-
A-418-4*	-	3.0	-	2W18	-	3.0	-	-	-
A-424-4*	-	4.1	-	2W24	-	4.0	-	-	-
A-608-4	-	2.6	-	3W8	3Y8	2.8	1.8	1.5	2.875
A-612-4*	-	3.9	-	3W12	3Y12	4.1	3.2	1.5	2.875
A-614-4	-	4.6	-	3W14	3Y14	4.9	3.7	1.5	2.875
A-618-4*	-	5.9	-	3W18	3Y18	6.2	4.8	1.5	2.875
A-624-4	-	7.9	-	3W24	3Y24	8.4	5.5	1.5	2.875
A-630-4*	-	9.8	-	3W30	3Y30	10.4	8.0	1.5	2.875
A-812-4*	-	7.1	-	4W12	4Y12	7.6	5.1	1.5	4
A-814-4	-	8.3	-	4W14	4Y14	8.8	5.9	1.5	4
A-818-4*	-	10.6	-	4W18	4Y18	11.4	7.6	2.5	4
A-824-4	-	14.1	-	4W24	4Y24	15.2	10.2	2.5	4
A-830-4*	-	17.7	-	4W30	4Y30	19.0	12.7	2.5	4
A-836-4	-	21.2	-	4W36	4Y36	22.8	15.3	2.5	4
A-1012-4*	A-1012-6*	11.8	7.5	5W12	5Y12	12.0	8.2	1.5	4
A-1014-4*	A-1014-6	13.7	8.7	5W14	5Y14	14.1	9.6	1.5	4
A-1018-4*	A-1018-6*	17.7	11.2	5W18	5Y18	18.1	12.4	2.38	4
A-1024-4*	A-1024-6	23.6	14.9	5W24	5Y24	24.1	16.5	2.5	5
A-1036-4*	A-1036-6	35.3	22.4	5W36	5Y36	36.2	24.7	2.5	5
A-1218-4*	A-1218-6*	25.1	17.7	6W18	6Y18	27.9	18.3	2.5	6
A-1224-4*	A-1224-6	33.5	23.6	6W24	6Y24	37.2	24.4	2.5	6
A-1236-4*	A-1236-6	50.3	35.3	6W36	6Y36	55.8	36.5	2.5	6
A-1248-4*	A-1248-6	67.0	47.1	6W48	6Y48	74.4	48.7	2.5	6
A-1260-4*	A-1260-6	83.8	58.9	6W60	6Y60	93.0	61.0	2.5	6
A-1624-4*	A-1624-6	58.6	40.1	8W24	8Y24	65.0	44.0	2.38	8
A-1636-4*	A-1636-6	88.0	60.1	8W36	8Y36	97.5	65.9	2.38	8
A-1648-4*	A-1648-6	117.3	80.1	8W48	8Y48	130.0	87.9	2.38	8
A-1672-4*	A-1672-6	175.9	120.2	8W72	8Y72	194.9	131.9	2.38	8
A-1696-4*	A-1696-6*	234.6	160.2	8W96	8Y96	260.0	175.6	2.38	8

**WHITLOCK CODE EXAMPLE**

4 - W - 24 HT - 4 - B\* - CI  
 Nominal Tube Length Type Pass Baffle Cast Iron Bonnets  
 Shell Diameter 1/4" Tubes

\*S = Custom Baffle Spacing

# B Series to EK Series

## Cross Reference

EK MODEL	REPLACES "B" MODEL	REMARKS
EK-508-0	B-701-C4-F	
EK-512-0	B-701-B4-F	
EK-514-0	B-702-C4-F	
EK-518-0	B-702-B4-F	
EK-524-0	B-703-B4-F	
EK-536-0		
EK-708-0	B-701-B4-F	
EK-712-0	B-702-C4-F	
EK-714-0	B-702-B4-F	
EK-718-0	B-703-C4-F	
EK-724-0	B-1002-C4-F	
EK-736-0	B-1003-C4-F	
EK-708-T	B-702-C4-F	
EK-712-T	B-702-B4-F	
EK-714-T	B-703-C4-F	
EK-718-T	B-703-B4-F	Also Low End B-1002-C4-F
EK-724-T	B-1002-B4-F	
EK-736-T	B-1003-B4-F	
EK-1012-0	B-1002-D4-F	Also High End B-702-B4-F
EK-1014-0	B-1002-C4-F	
EK-1018-0	B-1202-C4-F	
EK-1024-0	B-1003-C4-F or B-1202-C4-F	
EK-1036-6-0	B-1204-C4-F	Also Low End B-1603-C4-F
EK-1036-3-0	B-1205-C4-F	Up To 36 GPM
EK-1048-6-0	B-1207-D4-F	Also Low End B-1604-C4-F
EK-1048-4-0	B-1206-C4-F	
EK-1012-T	B-1002-C4-F	Also Low End B-1202-D4-F
EK-1014-T		Also Low End B-1202-C4-F
EK-1018-T	B-1003-C4-F	
EK-1024-T	B-1003-C4-F or B-1202-B4-F	

1. This list gives "EK" equivalents to "B" series units. The "B" units listed to NOT necessarily replace the corresponding "EK" units. At times there may be other factors to consider when replacing one style of unit with another (ie. "No. of passes or pressure drop.)

2. Similar reductions in size and cost are potentially available for ANY water cooled oil cooler. Compare the performance curve of unit to replace with performance curves in the "EK" Series Bulletin.

# Basco to Thermal Transfer Products

Type 500 Cross Reference

Exact Thermal and Dimensional Interchanges - Service Parts also Interchangeable

CROSS REFERENCE

Basco				Thermal Transfer		
Current Model Number	Original Model Number	Tube Count	Surface Area (Fl.)	Model Number	Tube Count	Surface Area (Fl.)
5A-01A-03-014	03014-S-1	60	4.6	C-614-1.3-4-O	60	4.6
5A-03A-03-014	03014-S-2			C-614-1.3-4-T		
5A-05A-03-014	03014-S-4			C-614-1.3-4-F		
5A-02A-03-014	03014-L-1			C-614-3-4-O		
5A-04A-03-014	03014-L-2			C-614-3-4-T		
5A-06A-03-014	03024-L-4			C-614-3-4-F		
5A-01A-03-024	03024-S-1	60	7.8	C-624-2-4-O	60	7.8
5A-03A-03-024	03024-S-2			C-624-2-4-T		
5A-05A-03-024	03024-S-4			C-624-2-4-F		
5A-02A-03-024	03024-L-1			C-624-3-4-O		
5A-04A-03-024	03024-L-2			C-624-3-4-T		
5A-06A-03-024	03024-L-4			C-624-3-4-F		
5A-01A-04-014	04014-S-1	104	7.9	C-814-1.3-4-O	104	7.9
5A-03A-04-014	04014-S-2			C-814-1.3-4-T		
5A-05A-04-014	04014-S-4			C-814-1.3-4-F		
5A-02A-04-014	04014-L-1			C-814-3-4-O		
5A-04A-04-014	04014-L-2			C-814-3-4-T		
5A-06A-04-014	04014-L-4			C-814-3-4-F		
5A-01A-04-024	04024-S-1	104	13.6	C-824-2-4-O	104	13.6
5A-03A-04-024	04024-S-2			C-824-2-4-T		
5A-05A-04-024	04024-S-4			C-824-2-4-F		
5A-02A-04-024	04024-L-1			C-824-4-4-O		
5A-04A-04-024	04024-L-2			C-824-4-4-T		
5A-06A-04-024	04024-L-4			C-824-4-4-F		
5A-01A-04-036	04036-S-1	104	20.4	C-836-2-4-O	104	20.4
5A-03A-04-036	04036-S-2			C-836-2-4-T		
5A-05A-04-036	04036-S-4			C-836-2-4-F		
5A-02A-04-036	04036-L-1			C-836-4-4-O		
5A-04A-04-036	04036-L-2			C-836-4-4-T		
5A-06A-04-036	04036-L-4			C-836-4-4-F		
5A-01A-05-014	05014-S-1	80	9.1	C-1014-1.3-6-O	80	9.1
5A-03A-05-014	05014-S-2			C-1014-1.3-6-T		
5A-05A-05-014	05014-S-4			C-1014-1.3-6-F		
5A-02A-05-014	05014-L-1			C-1014-3-6-O		
5A-04A-05-014	05014-L-2			C-1014-3-6-T		
5A-06A-05-014	05014-L-4			C-1014-3-6-F		
5A-01A-05-024	05024-S-1	80	16	C-1024-2-6-O	80	16
5A-03A-05-024	05024-S-2			C-1024-2-6-T		
5A-05A-05-024	05024-S-4			C-1024-2-6-F		
5A-02A-05-024	05024-L-1			C-1024-4-6-O		
5A-04A-05-024	05024-L-2			C-1024-4-6-T		
5A-06A-05-024	05024-L-4			C-1024-4-6-F		

"5A" prefix indicates admiralty brass tubes. "2A" prefix in place of the "5A" prefix indicates copper tubes in BASCO units and is interchangeable with TTPL "C" series units.

# Basco to Thermal Transfer Products

Type 500 Cross Reference

Exact Thermal and Dimensional Interchanges - Service Parts also Interchangeable

Basco				Thermal Transfer		
Current Model Number	Original Model Number	Tube Count	Surface Area (Ft.)	Model Number	Tube Count	Surface Area (Ft.)
5A-01A-05-036	05036-S-1	80	24	C-1036-2-6-O	80	24
5A-03A-05-036	05036-S-2			C-1036-2-6-T		
5A-05A-05-036	05036-S-4			C-1036-2-6-F		
5A-02A-05-036	05036-L-1			C-1036-4-6-O		
5A-04A-05-036	05036-L-2			C-1036-4-6-T		
5A-06A-05-036	05036-L-4			C-1036-4-6-F		
5A-01A-06-024	06024-S-1	116	23	C-1224-2.5-6-O	120	23.8
5A-03A-06-024	06024-S-2			C-1224-2.5-6-T		
5A-05A-06-024	06024-S-4			C-1224-2.5-6-F		
5A-02A-06-024	06024-L-1			C-1224-3.6-6-O		
5A-04A-06-024	06024-L-2			C-1224-3.6-6-T		
5A-06A-06-024	06024-L-4			C-1224-3.6-6-F		
5A-01A-06-036	06036-S-1	116	34	C-1236-2.5-6-O	120	35.2
5A-03A-06-036	06036-S-2			C-1236-2.5-6-T		
5A-05A-06-036	06036-S-4			C-1236-2.5-6-F		
5A-02A-06-036	06036-L-1			C-1236-5-6-O		
5A-04A-06-036	06036-L-2			C-1236-5-6-T		
5A-06A-06-036	06036-L-4			C-1236-5-6-F		
5A-01A-06-048	06048-S-1	116	45	C-1248-3-6-O	120	47.1
5A-03A-06-048	06048-S-2			C-1248-3-6-T		
5A-05A-06-048	06048-S-4			C-1248-3-6-F		
5A-02A-06-048	06048-L-1			C-1248-6-6-O		
5A-04A-06-048	06048-L-2			C-1248-6-6-T		
5A-06A-06-048	06048-L-4			C-1248-6-6-F		
5A-01A-06-060	06060-S-1	116	56	C-1260-3.6-6-O	120	58.9
5A-03A-06-060	06060-S-2			C-1260-3.6-6-T		
5A-05A-06-060	06060-S-4			C-1260-3.6-6-F		
5A-02A-06-060	06060-L-1			C-1260-6-6-O		
5A-04A-06-060	06060-L-2			C-1260-6-6-T		
5A-06A-06-060	06060-L-4			C-1260-6-6-F		
5A-01A-08-024	08024-S-1	232	45.5	C-1724-3-6-O	240	47.1
5A-03A-08-024	08024-S-2			C-1724-3-6-T		
5A-05A-08-024	08024-S-4			C-1724-3-6-F		
5A-02A-08-024	08024-L-1			C-1724-5-6-O		
5A-04A-08-024	08024-L-2			C-1724-5-6-T		
5A-06A-08-024	08024-L-4			C-1724-5-6-F		
5A-01A-08-036	08036-S-1	232	68.3	C-1736-4-6-O	240	70.7
5A-03A-08-036	08036-S-2			C-1736-4-6-T		
5A-05A-08-036	08036-S-4			C-1736-4-6-F		
5A-02A-08-036	08036-L-1			C-1736-6-6-O		
5A-04A-08-036	08036-L-2			C-1736-6-6-T		
5A-06A-08-036	08036-L-4			C-1736-6-6-F		

"5A" prefix indicates admiralty brass tubes. "2A" prefix in place of the "5A" prefix indicates copper tubes in BASCO units and is interchangeable with TTPL "C" series units.

CROSS REFERENCE

# Basco to Thermal Transfer Products

Type 500 Cross Reference

Exact Thermal and Dimensional Interchanges - Service Parts also Interchangeable

CROSS REFERENCE

Basco				Thermal Transfer		
Current Model Number	Original Model Number	Tube Count	Surface Area (Ft.)	Model Number	Tube Count	Surface Area (Ft.)
5A-01A-08-048	08048-S-1	232	91.1	C-1748-4-6-O	240	94.2
5A-03A-08-048	08048-S-2			C-1748-4-6-T		
5A-05A-08-048	08048-S-4			C-1748-4-6-F		
5A-02A-08-048	08048-L-1			C-1748-7-6-O		
5A-04A-08-048	08048-L-2			C-1748-7-6-T		
5A-06A-08-048	08048-L-4			C-1748-7-6-F		
5A-01A-08-060	08060-S-1	232	113.8	C-1760-4.5-6-O	240	117.8
5A-03A-08-060	08060-S-2			C-1760-4.5-6-T		
5A-05A-08-060	08060-S-4			C-1760-4.5-6-F		
5A-02A-08-060	08060-L-1			C-1760-7-6-O		
5A-04A-08-060	08060-L-2			C-1760-7-6-T		
5A-06A-08-060	08060-L-4			C-1760-7-6-F		
5A-01A-08-072	08072-S-1	232	136.6	C-1772-4.5-6-O	240	141.4
5A-03A-08-072	08072-S-2			C-1772-4.5-6-T		
5A-05A-08-072	08072-S-4			C-1772-4.5-6-F		
5A-02A-08-072	08072-L-1			C-1772-8-6-O		
5A-04A-08-072	08072-L-2			C-1772-8-6-T		
5A-06A-08-072	08072-L-4			C-1772-8-6-F		

"5A" prefix indicates admiralty brass tubes. "2A" prefix in place of the "5A" prefix indicates copper tubes in BASCO units and is interchangeable with TTPL "C" series units.

# Bell and Gossett to Thermal Transfer Products

## CHX Series Cross Reference

Bell and Gossett		Thermal Transfer	
Model Number	Surface Area (Ft.)	Model Number	Surface Area (Ft.)
CHX-308-S-1	2.5	A-608-1-4-0	2.6
CHX-308-L-1			
CHX-308-S-2			
CHX-308-L-2			
CHX-308-S-4			
CHX-308-L-4			
CHX-314-S-1	4.3	A-614-1.5-4-0	4.6
CHX-314-L-1			
CHX-314-S-2			
CHX-314-L-2			
CHX-314-S-4			
CHX-314-L-4			
CHX-324-S-1	7.3	A-624-2-4-0	7.9
CHX-324-L-1			
CHX-324-S-2			
CHX-324-L-2			
CHX-324-S-4			
CHX-324-L-4			
CHX-414-S-1	7.6	A-814-1.5-4-0	9.3
CHX-414-L-1			
CHX-414-S-2			
CHX-414-L-2			
CHX-414-S-4			
CHX-414-L-4			
CHX-424-S-1	13.1	A-824-2-4-0	14.4
CHX-424-L-1			
CHX-424-S-2			
CHX-424-L-2			
CHX-424-S-4			
CHX-424-L-4			
CHX-436-S-1	19.7	A-836-2-4-0	21.2
CHX-436-L-1			
CHX-436-S-2			
CHX-436-L-2			
CHX-436-S-4			
CHX-436-L-4			
CHX-514-S-1	9.2	A-1014-1.5-6-0	9.2
CHX-514-L-1			
CHX-514-S-2			
CHX-514-L-2			
CHX-514-S-4			
CHX-514-L-4			

Bell and Gossett		Thermal Transfer	
Model Number	Surface Area (Ft.)	Model Number	Surface Area (Ft.)
CHX-524-S-1	15.7	A-1024-2-6-0	15.7
CHX-524-L-1			
CHX-524-S-2			
CHX-524-L-2			
CHX-524-S-4			
CHX-524-L-4			
CHX-536-S-1	23.6	A-1036-2-6-0	23.6
CHX-536-L-1			
CHX-536-S-2			
CHX-536-L-2			
CHX-536-S-4			
CHX-536-L-4			
CHX-624-S-1	22.8	A-1224-2-6-0	23.7
CHX-624-L-1			
CHX-624-S-2			
CHX-624-L-2			
CHX-624-S-4			
CHX-624-L-4			
CHX-636-S-1	34.2	A-1236-3-6-0	35.3
CHX-636-L-1			
CHX-636-S-2			
CHX-636-L-2			
CHX-636-S-4			
CHX-636-L-4			
CHX-648-S-1	45.6	A-1248-3-6-0	47.1
CHX-648-L-1			
CHX-648-S-2			
CHX-648-L-2			
CHX-648-S-4			
CHX-648-L-4			
CHX-660-S-1	57.0	A-1260-4-6-0	58.9
CHX-660-L-1			
CHX-660-S-2			
CHX-660-L-2			
CHX-660-S-4			
CHX-660-L-4			

Approximate thermal and dimensional interchanges (dimensions within 3/8", CHX-400 Series has different connection sizes). Mounting brackets can be rotated on TTPL models to more closely match those of the CHX Series.

CROSS REFERENCE

# Blissfield to Thermal Transfer

Cross Reference

CROSS REFERENCE

BLISSFIELD		THERMAL TRANSFER	
Approximate Overall		Approximate Overall	
Part Number	Dimensions	Part Number	Dimensions
60462	8 x 10 x 1	DH-08-41-2	8 x 13.5 x 1.5
63002	10.5 x 15 x 2	DH-095-1-2	8.5 x 18 x 1.5
63058	36.5 x 28 x 2	DH-359-1-2	31 x 30 x 1.5
63059	36.5 x 28 x 3	DH-370-1-2	31 x 36 x 1.5
63078	36.5 x 28 x 2	DH-359-2-2	31 x 30 x 1.5
65024	9 x 27 x 2	DH-106-1-2	8.5 x 21 x 1.5
65025	8 x 25 x 2	DH-095-1-2	8.5 x 18 x 1.5
65027	24.5 x 24.5 x 2	DH-326-1-2	25 x 24 x 1.5
65028	9.5 x 16.5 x 3	DH-502-1-2	6 x 15 x 3
65029	20 x 20 x 2	DH-216-1-2	12.5 x 24 x 1.5
65031	20 x 24 x 2	DH-238-1-2	16.5 x 24 x 1.5
65032	13 x 20 x 2	DH-194-1-2	12.5 x 18 x 1.5
65033	24 x 26 x 2	DH-236-1-2	25 x 24 x 1.5
65034	9 x 26 x 2	DH-095-1-2	8.5 x 18 x 1.5
65069	30 x 31 x 2	DH-359-1-2	31 x 30 x 1.5
65077	26.5 x 27 x 2	DH-326-2-2	25 x 24 x 1.5
65082	19 x 20 x 2	DH-238-1-2	16.5 x 24 x 1.5
69002	7 x 16 x 1.5	DH-051-1-2	4.5 x 15 x 1.5
69003	9 x 19 x 1.5	DH-062-1-2	6.5 x 15 x 1.5

Non-dimensional interchanges for reference only. In most cases the Thermal Transfer performance is greater than the Blissfield model replaced. Refer to DH Series for additional information.



# Dunham-Bush to Thermal Transfer

Cross Reference

DUNHAM-BUSH		THERMAL TRANSFER	
Model Series	Model Number	Model Number	Number of Passes
<b>10 Series</b>	DB-12	AO-5/AOC-19	2/1 Pass Only
	DB-21	AO-10/AOC-22	2/1 Pass Only
	DB-22	AO-20/AOC-24	1/1 Pass Only
	DB-31	AO-30/AOC-37	1/1 Pass Only
	DB-32	AO-35/AOC-50	1/1 Pass Only
<b>100 Series</b>	DB-206	AO-20	1
	DB-208	AO-25	1
	DB-210	AO-35	1
	DB-212	AO-40	1
	DB-214	AOVH-35	1
	DB-308	AO-35	1
	DB-312	AOVH-35	1
	DB-314	AOVH-40	1
	DB-318	AOL-1200	1 Pass Only
	DB-321	AOL-1600	
	DB-327	AOL-2500	
	DB-330	AOL-3000	
	DB-410	AOVH-35	1 or 2 (depending on flow)
	DB-421	AOL-1600/AOL-3000	1 Pass Only
	DB-430	AOL-3000	1 Pass Only (for flow of 45-200 GPM)
	DB-433	—————	—————
<b>DC Series</b>	DB-00341DC	AOC-24	1 Pass Only
	DB-00343DC	AOC-22	
	DB-00345DC	AOC-24	
	DB-01322DC	AOC-33	
	DB-02162	AOC-37	
	DB-75699	AOC-37	

Models are Approximate Thermal, Non-Dimensional

CROSS REFERENCE

# Dunham-Bush to Thermal Transfer

Cross Reference

## DUNHAM-BUSH

## THERMAL TRANSFER

DUNHAM-BUSH		THERMAL TRANSFER		
Heat Exchanger Only	Kit Includes Mounting Brackets	Heat Exchanger Only	Mounting Brackets	
Part Number	Part Number	Model Number	Quantity	Part Number
10215-S1-0346	DB-1215	DH-051-1-1	2	L-84741
10324-S1-0351	DB-1230	DH-084-1-1	4	
10324-R1-0339	DB-1231	DH-084-4-1	4	
10418-S1-0246	DB-1232	DH-095-1-1	4	
10418-R1-0916	DB-1233	DH-095-4-1	4	
10621-S1-0924	DB-1234	DH-205-1-1	4	
10824-S1-75698	DB-1236	DH-238-1-1	6	
10824-R1-71911	DB-1237	DH-238-4-1	6	
10318-R1-0338	DB-1238	DH-073-4-1	4	
10318-S1-0350	DB-1240	DH-073-1-1	4	
10421-S1-0349	DB-1241	DH-106-1-1	4	
10421-R1-0337	DB-1242	DH-106-4-1	4	
10412-S1-1773	DB-1247	DH-08-11-1	4	
10425-R1-1231	DB-1248	DH-117-4-1	4	
10624-S2-0336	DB-1249	DH-216-83792	Mounting Brackets Included	
10624-S1-0348	DB-1260	DH-216-1-1	4	K-84741
10624-R1-0340	DB-1261	DH-216-4-1	4	
10618-R1-0344	DB-1267	DH-194-4-1	4	
10618-S1-0343	DB-1268	DH-194-1-1	4	
10924-S2-0335	DB-1269	DH-249-83793	Mounting Brackets Included	
11230-S2P-0718	DB-1271	DH-337-83795	Mounting Brackets Included	
11536-S1-1770	DB-1272	DH-370-1-1	8	L-84741
11536-R1-1518	DB-1273	DH-370-4-1	8	L-84741
11433-S1-0558	DB-1277	DH-96226	Mounting Brackets Included	
10924-S1-0345	DB-1290	DH-249-1-1	6	L-84741
10924-R1-0341	DB-1291	DH-249-4-1	6	
11224-S1-0347	DB-1292	DH-326-1-1	8	Mounting Brackets Included
11224-S2-0332	DB-1293	DH-326-83794	Mounting Brackets Included	
11224-R1-0342	DB-1294	DH-326-4-1	8	L-84741
11524-R1-52024	DB-1295	DH-348-4-1	8	
11530-R1-76866	DB-1296	DH-359-4-1*	8	
11830-R1-66951	DB-1297	DH-425-4-1*	4	
11840-R1-75707	DB-1298	DH-436-4-1*	4	
110240-S2P-0683	DB-1299	DH-96227	Mounting Brackets Included	
20618-S1-60943	DB-2268	DH-513-1-1*	Mounting Tabs Included	
20924-S1-1322	DB-2289	DH-524-96229*	Mounting Tabs Included	
20924-S1A-75700	DB-2290	CONSULT FACTORY		
20924-R2A-76699	DB-2291			
21224-S2A-0615	DB-2292			
22148-T1-76887	DB-2293	DH-69230*	Mounting Tabs Included	
21830-T1-75706	DB-2294	DH-626-1-1*	Mounting Tabs Included	
21524-S2A-0541	DB-2295	CONSULT FACTORY		
21833-T1-75710	DB-2296	DH-96232*	Mounting Tabs Included	
21842-T1-75708	DB-2297	DH-649-1-1*		
21848-T1-75709	DB-2298	DH-96233*		
22145-T1-56406	DB-2299	DH-96234*		
11524-S1-0412	DB-2305	DH-348-1-1	8	L-84741
11530-S1-57736	DB-2306	DH-359-1-1	8	
11833-R1-0734	DB-2307	DH-96231	Mounting Brackets Included	
21840-T1-0739	DB-2308	DH-649-1-1*	Mounting Tabs Included	
12042-R1-0808	DB-2312	DH-447-4-1*	4	

Models are thermally equivalent, approximate dimensional interchanges

\*Thermal and non-dimensional interchanges

CROSS REFERENCE

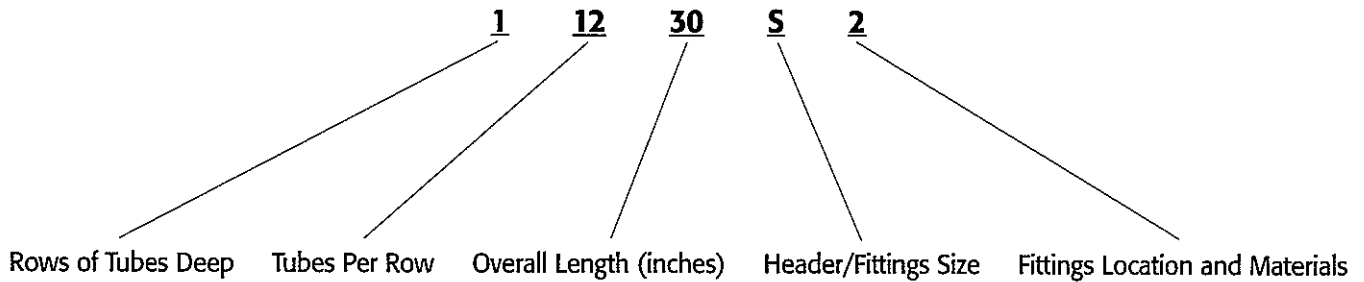
# Hayden and Dunham-Bush to Thermal Transfer

Cross Reference

CROSS REFERENCE

Hayden		Dunham-Bush/Kool-Mor		Thermal Transfer	
Model Number	Face Areas (Sq. Ft)	Model Number	Face Areas (Sq. Ft)	Model Number	Face Areas (Sq. Ft)
10318S1/R1	.6	DB-1238/DB-1240	.57/.59	M-10	.60
10324S1/R1	.8	DB-1230	.84	M-15	.81
10418S1/R1		DB-1231	.82		
10421S1/R1	.93	DB-1241/DB-1242	.96/.93	M-20	1.21
10424S1/R1	1.1	DB-1267/DB-1268	1.1/1.5		
10618S1/R1	1.2				
10621S1/R1	1.4				
10724S1/R1	1.9				
10824S1/R1	2.1				
10924S1/S2/R1	2.4	DB-1269/DB-1290/DB-1291	2.5/2.4/2.5	M-25	2.56
11024S2	2.7	DB-1299	2.7		
11224S1/S2/R1	3.2	DB-1292/DB-1293/DB-1294	3.2/3.2/3.1	M-30	3.25
11230S2	4.0	DB-1271	4.2	M-35	4.06
11524S1/R1		DB-1295/DB-2305	3.9/4.0		
11530S1/R1	5.0	DB-1296/DB-2306	5.2/5.3	M-40	6.25
11536S1/R1	6.0	DB-1277/DB-1297	5.5/5.9		
11830S1/R1		DB-2307	6.7		
11840S1/R1	8.0	DB-1298/DB-2308	8.4/8.2	M-45	8.88
12042S1/R1	9.3	DB-2312	9.9		

## Hayden Model Number (Coding)



Note: Cross referenced models are based on similar face areas. Physical sizes may not be equal.

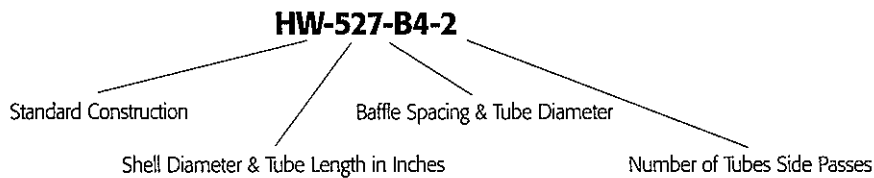
# Hayden to Thermal Transfer Products

Cross Reference

Thermal Interchanges Only—Not Dimensionally

CROSS REFERENCE

Hayden Model Number	Thermal Transfer Model Number
HW-209-A4-1	B-401-A4-O
HW-218-A4-1	B-402-A4-O
HW-309-A4-1	B-701-A4-O
HW-309-A4-2	B-701-A4-T
HW-309-A4-4	B-701-A4-F
HW-318-B4-1	B-702-B4-O
HW-318-B4-2	B-702-B4-T
HW-318-B4-4	B-702-B4-F
HW-327-B4-1	B-703-B4-O
HW-327-B4-2	B-703-B4-T
HW-327-B4-4	B-703-B4-F
HW-327-C4-1	B-703-C4-O
HW-327-C4-2	B-703-C4-T
HW-327-C4-4	B-703-C4-F
HW-518-B4-1	B-1002-B4-O
HW-518-B4-2	B-1002-B4-F
HW-518-B4-4	B-1002-B4-T
HW-527-B4-1	B-1003-B4-O
HW-527-B4-2	B-1003-B4-T
HW-527-B4-4	B-1003-B4-F



# Hayden to Thermal Transfer

Cross Reference

Hayden				THERMAL TRANSFER		
Model Series	Model Number	Number of Passes	Flow Range	Model Number	Number of Passes	Flow Range
<b>Temp-Toller Industrial Series</b>	IND-108	1	4-32	AOVH-15	1	8-160
		2	2-16		2	4-60
	IND-208	1	8-64	AOVH-20	1	10-160
		2	4-32		2	4-80
	IND-113	1	6-52	AOVH-25	1	12-200
		2	3-24		2	4-80
	IND-213	1	12-105	AOVH-35	1	14-200
		2	8-52		2	4-80
	IND-313	1	20-155	AOVH-35	1	16-220
		2	10-75		2	6-80
<b>Temp-Toller Hundred Series</b>	TT-206	1	6-48	AOVH-10	1	6-160
		2	3-21		2	4-60
	TT-208	1	8-64	AOVH-20	1	10-160
		2	4-31		2	4-80
	TT-308	1	12-96	AOVH-20	1	10-160
		2	6-47		2	4-80
	TT-210	1	10-80	AOVH-25	1	12-200
		2	5-40		2	4-80
	TT-212	1	12-96	AOVH-30	1	14-200
		2	6-48		2	4-80
	TT-214	1	14-112	AOVH-35	1	16-220
		2	6-56		2	6-80
	TT-314	1	20-165	AOVH-40	1	18-230
		2	10-83		2	8-80
TT-318	1	30-210	AOL-950	1 Pass Only	23-150	
	2	12-105	AOVH-40		18-230	
TT-418	1	45-285	AOL-1200		23-150	
	2	15-145				
<b>Temp-Toller Jumbo Series</b>	TT-321	1	30-250	AOL-1600	1 Pass Only	30-165
		2	15-125			
	TT-324	1	35-290	AOL-2000		30-200
		2	15-220			
	TT-327	1	40-330	AOL-2500		35-225
		2	20-165			
TT-430	1	60-480	AOL-3500	45-310		
	2	30-240				

Flow ranges are in Gallons Per Minute (GPM). All models are Approximate Thermal, Non-dimensional.

CROSS REFERENCE

# Hayden to Thermal Transfer

Cross Reference

CROSS REFERENCE

NPT PORTS			SAE PORTS	
Hayden Model Number	Hayden Part Number	Thermal Transfer Model Number	Hayden Part Number	Thermal Transfer Model Number
10215	001243	DH-051-1-1	016000	DH-051-2-1
10315	002514	DH-062-1-1	016002	DH-062-2-1
10318	001269	DH-073-1-1	016004	DH-073-2-1
10324	001563	DH-084-1-1	016005	DH-084-2-1
10418	003109	DH-095-1-1	016012	DH-095-2-1
10421	001564	DH-106-1-1	012010	DH-106-2-1
10424	001810	DH-117-1-1	016008	DH-117-2-1
10618	001251	DH-194-1-1	016013	DH-194-2-1
10624	001267	DH-216-1-1	016017	DH-216-2-1
10724	001264	DH-227-1-1	016020	DH-227-2-1
10924	001260	DH-249-1-1	016024	DH-249-2-1
11224	001778	DH-326-1-1	016032	DH-326-2-1
11230	001695	DH-337-1-1	016030	DH-337-2-1
11524	001865	DH-348-1-1	016038	DH-348-2-1
11530	001860	DH-359-1-1	016036	DH-359-2-1
11536	001861	DH-370-1-1	016034	DH-370-2-1
11830	001788	DH-425-1-1*	016039	DH-425-2-1*
12042	002248	DH-447-1-1*	016044	DH-447-2-1*
20215	025362	DH-502-1-1*	025363	DH-502-2-1*
20618	025348	DH-513-1-1*	025364	DH-513-2-1*
20924	025365	DH-524-1-1*	025366	DH-524-2-1*
21224	025367	DH-535-1-1*	025368	DH-535-2-1*
21830	025817	DH-626-1-1*	020111	DH-626-2-1*
21842	025818	DH-649-1-1*	020112	DH-649-2-1*
22042	025819	DH-670-1-1*	020113	DH-670-2-1*

All models are thermal and dimensional interchanges unless indicated.

\*Thermal, very close dimensional interchanges.

# Hayden to Thermal Transfer Products

## Cross Reference

Hayden Number	Thermal Transfer Model Number
10215-S1	DH-051-1
10315-S1	DH-062-1
10318-S1	DH-073-1
10324-S1	DH-084-1
10418-S1	DH-095-1
10421-S1	DH-106-1
10424-S1	DH-117-1
10618-S1	DH-194-1
10621-S1	DH-205-1
10624-S1	DH-216-1
10724-S1	DH-227-1
10824-S1	DH-238-1
10924-S1	DH-249-1
11224-S1	DH-326-1
11230-S1	DH-337-1
11524-S1	DH-348-1
11530-S1	DH-359-1
11536-S1	DH-370-1
11830-S1	DH-425-1
11840-S1	DH-436-1
12042-S1	DH-447-1

Hayden Number	Thermal Transfer Model Number
10215-V1	DH-051-2
10315-V1	DH-062-2
10318-V1	DH-073-2
10324-V1	DH-084-2
10418-V1	DH-095-2
10421-V1	DH-106-2
10424-V1	DH-117-2
10618-V1	DH-194-2
10621-V1	DH-205-2
10624-V1	DH-216-2
10724-V1	DH-227-2
10824-V1	DH-238-2
10924-V1	DH-249-2
11224-V1	DH-326-2
11230-V1	DH-337-2
11524-V1	DH-348-2
11530-V1	DH-359-2
11536-V1	DH-370-2
11830-V1	DH-425-2
11840-V1	DH-436-2
12042-V1	DH-447-2

Hayden Number	Thermal Transfer Model Number
10215-R1	DH-051-4
10315-R1	DH-062-4
10318-R1	DH-073-4
10324-R1	DH-084-4
10418-R1	DH-095-4
10421-R1	DH-106-4
10424-R1	DH-117-4
10618-R1	DH-194-4
10621-R1	DH-205-4
10624-R1	DH-216-4
10724-R1	DH-227-4
10824-R1	DH-238-4
10924-R1	DH-249-4
11224-R1	DH-326-4
11230-R1	DH-337-4
11524-R1	DH-348-4
11530-R1	DH-359-4
11536-R1	DH-370-4
11830-R1	DH-425-4
11840-R1	DH-436-4
12042-R1	DH-447-4

Hayden Number	Thermal Transfer Model Number
10215-W1	DH-051-5
10315-W1	DH-062-5
10318-W1	DH-073-5
10324-W1	DH-084-5
10418-W1	DH-095-5
10421-W1	DH-106-5
10424-W1	DH-117-5
10618-W1	DH-194-5
10621-W1	DH-205-5
10624-W1	DH-216-5
10724-W1	DH-227-5
10824-W1	DH-238-5
10924-W1	DH-249-5
11224-W1	DH-326-5
11230-W1	DH-337-5
11524-W1	DH-348-5
11530-W1	DH-359-5
11536-W1	DH-370-5
11830-W1	DH-425-5
11840-W1	DH-436-5

Hayden Number	Thermal Transfer Model Number
12042-W1	DH-447-5
20215-S1	DH-502-1
20618-S1	DH-513-1
20624-S1	DH-519-1
20924-S1	DH-524-1
21224-S1	DH-535-1
21830-T1	DH-626-1
21842-T1	DH-649-1
22042-T1	DH-670-1
20215-V1	DH-502-2
20618-V1	DH-513-2
20624-V1	DH-519-2
20924-V1	DH-524-2
21224-V1	DH-535-2
21830-Y1	DH-626-2
21842-Y1	DH-649-2
22042-Y1	DH-670-2

The Thermal Transfer models indicated are both thermally and dimensionally interchangeable with the Hayden models they replace.

CROSS REFERENCE

# HiRoss to Thermal Transfer Products

Cross Reference Thermally Interchangeable-Not Dimensionally

CROSS REFERENCE

Air Cooled Aftercoolers			
HiRoss Model Number	SCFM*	Thermal Transfer Model Number	SCFM*
A0050080	30	AA-50	35
A0100080	50	AA-50	50
A0200080	100	AA-120	100
A0300080	125	AA-120	120
A0500080	210	AA-240	240
A0803000	300	AA-300	300
A1203000	590	AHP-725	640
A1603000	670	AHP-725	640
A2003000	800	AHP-725	725
A2403000	1000	AHP-950	950
A3203000	1250	AHP-1200	1200
A4003000	1500	AHP-1600	1600
A4803000	2000	AHP-2000	2000
A6403000	2500	AHP-2500	2500
A7503000	2800	AHP-3000	3000

\*Inlet air temperature 250° cooled to within 15° approach 100 psig.

Water Cooled Aftercoolers					
HiRoss Model Number	Two Stage	Rotary	Thermal Transfer Model Number	Two Stage	Rotary
W0035	52	74	AB-404-A4-0	80	110
W0045	104	148	AB-405-B4-0	150	205
W0055	182	259	AB-705-B4-0	310	439
W0065	312	444	AB-705-B4-0	310	439
W0110	494	703	AB-1006-B6-0	440	654
W0160	702	999	AB-1206-C6-0	640	955
W0210	806	1147	AB-1206-C6-0	640	955
W0270	1092	1554	AB-1207-C6-0	1250	1690
W0350	1430	2035	AB-1606-C6-0	1600	2280
W0420	1664	2368	AB-1606-C6-0	1600	2280

Rotary Inlet temperature 190°F cooled to within 15°F of inlet water temperature.  
 2 Stage inlet temperature 250°F cooled to within 15°F of inlet water temperature.  
 Compressed air at 100 psig.



# ITT Standard to Thermal Transfer Products

## BCF Series Cross Reference

Exact Thermal and Dimensional Interchanges - Service Parts also Interchangeable

ITT or American Standard			Thermal Transfer		
Model Number	Tube Count	Surface Area (FL <sup>2</sup> )	Model Number	Tube Count	Surface Area (FL <sup>2</sup> )
5-030-02-008-001	28	1.2	A-408-75-4-O	31	1.35
5-030-02-008-002			A-408-2-4-O		
5-030-03-008-001	56	2.4	A-608-1-4-O	60	2.6
5-030-03-008-002			A-608-2-4-O		
5-030-03-008-003			A-608-1-4-T		
5-030-03-008-004			A-608-2-4-T		
5-030-03-008-005			A-608-1-4-F		
5-030-03-008-006			A-608-2-4-F		
5-030-03-014-001			56		
5-030-03-014-002	A-614-4-4-O				
5-030-03-014-003	A-614-1.5-4-T				
5-030-03-014-004	A-614-4-4-T				
5-030-03-014-005	A-614-1.5-4-F				
5-030-03-014-006	A-614-4-4-F				
5-030-03-024-001	56	7.4	A-624-2-4-O	60	7.9
5-030-03-024-002			A-624-4-4-O		
5-030-03-024-003			A-624-2-4-T		
5-030-03-024-004			A-624-4-4-T		
5-030-03-024-005			A-624-2-4-F		
5-030-03-024-006			A-624-4-4-F		
5-030-04-014-001	108	8.3	A-814-1.5-4-O	108	8.3
5-030-04-014-002			A-814-3-4-O		
5-030-04-014-003			A-814-1.5-4-T		
5-030-04-014-004			A-814-3-4-T		
5-030-04-014-005			A-814-1.5-4-F		
5-030-04-014-006			A-814-3-4-F		
5-030-04-024-001	108	14.1	A-824-2-4-O	108	14.1
5-030-04-024-002			A-824-4-4-O		
5-030-04-024-003			A-824-2-4-T		
5-030-04-024-004			A-824-4-4-T		
5-030-04-024-005			A-824-2-4-F		
5-030-04-024-006			A-824-4-4-F		
5-030-04-036-001	108	21.2	A-836-2-4-O	108	21.2
5-030-04-036-002			A-836-4-4-O		
5-030-04-036-003			A-836-2-4-T		
5-030-04-036-004			A-836-4-4-T		
5-030-04-036-005			A-836-2-4-F		
5-030-04-036-006			A-836-4-4-F		
5-030-05-014-001	80	9.1	A-1014-1.5-6-O	80	9.1
5-030-05-014-002			A-1014-3-6-O		
5-030-05-014-003			A-1014-1.5-6-T		
5-030-05-014-004			A-1014-3-6-T		
5-030-05-014-005			A-1014-1.5-6-F		
5-030-05-014-006			A-1014-3-6-F		

ITT or American Standard			Thermal Transfer		
Model Number	Tube Count	Surface Area (FL <sup>2</sup> )	Model Number	Tube Count	Surface Area (FL <sup>2</sup> )
5-030-05-024-001	80	16	A-1024-2-6-O	80	16
5-030-05-024-002			A-1024-4-6-O		
5-030-05-024-003			A-1024-2-6-T		
5-030-05-024-004			A-1024-4-6-T		
5-030-05-024-005			A-1024-2-6-F		
5-030-05-024-006			A-1024-4-6-F		
5-030-05-036-001	80	24	A-1036-2-6-O	80	24
5-030-05-036-002			A-1036-4-6-O		
5-030-05-036-003			A-1036-2-6-T		
5-030-05-036-004			A-1036-4-6-T		
5-030-05-036-005	A-1036-2-6-F	120	23.7		
5-030-05-036-006	A-1036-4-6-F				
5-030-06-024-001	116			23	A-1224-2-6-O
5-030-06-024-002					A-1224-4-6-O
5-030-06-024-003					A-1224-2-6-T
5-030-06-024-004					A-1224-4-6-T
5-030-06-024-005		A-1224-2-6-F			
5-030-06-024-006		A-1224-4-6-F			
5-030-06-036-001	116	34	A-1236-3-6-O	120	35.3
5-030-06-036-002			A-1236-6-6-O		
5-030-06-036-003			A-1236-3-6-T		
5-030-06-036-004			A-1236-6-6-T		
5-030-06-036-005	A-1236-3-6-F	120	47.1		
5-030-06-036-006	A-1236-6-6-F				
5-030-06-048-001	116			45	A-1248-3-6-O
5-030-06-048-002					A-1248-6-6-O
5-030-06-048-003					A-1248-3-6-T
5-030-06-048-004					A-1248-6-6-T
5-030-06-048-005		A-1248-3-6-F			
5-030-06-048-006		A-1248-6-6-F			
5-030-06-060-001	116	56	A-1260-4-6-O	120	58.9
5-030-06-060-002			A-1260-6-6-O		
5-030-06-060-003			A-1260-4-6-T		
5-030-06-060-004			A-1260-6-6-T		
5-030-06-060-005	A-1260-4-6-F	210	41		
5-030-06-060-006	A-1260-6-6-F				
5-030-08-024-001	210			41	A-1624-2-6-O
5-030-08-024-002					A-1624-6-6-O
5-030-08-024-003					A-1624-2-6-T
5-030-08-024-004					A-1624-6-6-T
5-030-08-024-005		A-1624-2-6-F			
5-030-08-024-006		A-1624-6-6-F			

CROSS REFERENCE

# ITT Standard to Thermal Transfer Products

BCF Series Cross Reference

Exact Thermal and Dimensional Interchanges - Service Parts also Interchangeable

CROSS REFERENCE

ITT or American Standard			Thermal Transfer		
Model Number	Tube Count	Surface Area (Ft. <sup>2</sup> )	Model Number	Tube Count	Surface Area (Ft. <sup>2</sup> )
5-030-08-036-001	210	62	A-1636-3-6-O	210	62
5-030-08-036-002			A-1636-6-6-O		
5-030-08-036-003			A-1636-3-6-T		
5-030-08-036-004			A-1636-6-6-T		
5-030-08-036-005			A-1636-3-6-F		
5-030-08-036-006			A-1636-6-6-F		
5-030-08-048-001	210	82	A-1648-3-6-O	210	82
5-030-08-048-002			A-1648-6-6-O		
5-030-08-048-003			A-1648-3-6-T		
5-030-08-048-004			A-1648-6-6-T		
5-030-08-048-005			A-1648-3-6-F		
5-030-08-048-006			A-1648-6-6-F		
5-030-08-060-001	210	103	A-1660-4-6-O	210	103
5-030-08-060-002			A-1660-6-6-O		
5-030-08-060-003			A-1660-4-6-T		
5-030-08-060-004			A-1660-6-6-T		
5-030-08-060-005			A-1660-4-6-F		
5-030-08-060-006			A-1660-6-6-F		
5-030-08-072-001	210	124	A-1672-4-6-O	210	124
5-030-08-072-002			A-1672-6-6-O		
5-030-08-072-003			A-1672-4-6-T		
5-030-08-072-004			A-1672-6-6-T		
5-030-08-072-005			A-1672-4-6-F		
5-030-08-072-006			A-1672-6-6-F		

# ITT Standard HCFQ to Thermal Transfer Products

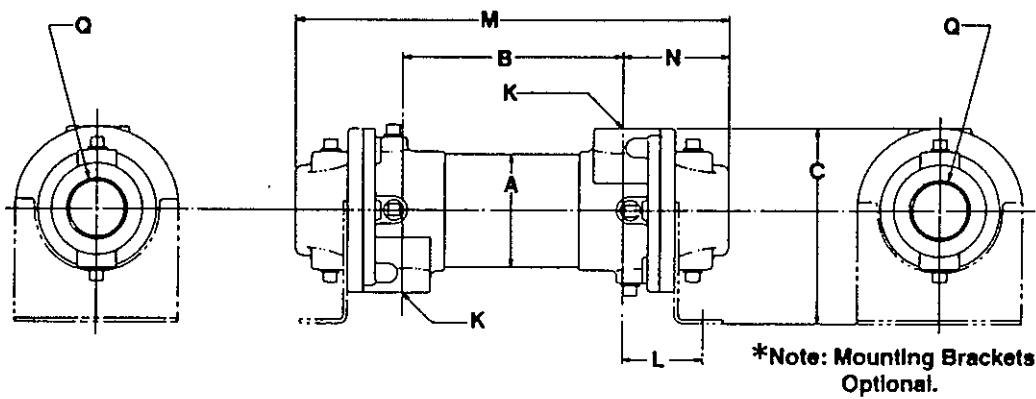
Cross Reference

CROSS REFERENCE

## Water Cooled Aftercoolers

ITT Standard Model Number	SCFM Capacities*	Thermal Transfer Model Number
5-142-02-021-001	40	B-218-75899
5-142-02-030-001	110	B-227-75900
5-142-02-048-001	170	B-248-77231
5-142-02-054-001	190	B-254-77232
5-142-03-022-001	145	B-327-75901
5-142-03-036-011	280	B-336-75902

\*Heat transfer rates are based on two stage compression, 250°F inlet at 100 PSI.



Model	A	B	C	K NPT	L	M	N	Q NPT
B-218-75899	2.13	19.63	3.50	.50	1.72	23.25	1.81	1.00
B-227-75900		28.63				36.38		
B-248-77231		46.63				54.38		
B-254-77232		52.63				60.38		
B-327-75901	3.66	23.75	6.25	1.00	2.69	31.16	3.70	2.00
B-336-75902		37.75				45.16		2.50

# Karmazin to Thermal Transfer

Cross Reference

CROSS REFERENCE

KARMAZIN		THERMAL TRANSFER	
Approximate Overall		Approximate Overall	
Part Number	Dimensions	Part Number	Dimensions
207-OA1	8 x 26 x 2	DH-051-2-2	4.5 x 15 x 1.5
212-OA1	13 x 21 x 2	DH-062-2-2	6.5 x 15 x 1.5
216-OA1	18.5 x 20.5 x 2	DH-194-2-2	12.5 x 18 x 1.5
216-2A1	16 x 21.5 x 2	DH-227-2-2	14.5 x 24 x 1.5
218-OA1	19.5 x 24 x 2	DH-216-2-2	12.5 x 24 x 1.5
224-OA1	25.5 x 27 x 2	DH-326-2-2	25 x 24 x 1.5
326-OA1	27.5 x 31 x 3	DH-425-2-2	37 x 30 x 1.5
326-O**	27.5 x 31 x 4.5	DH-370-2-2	31 x 36.5 x 1.5
426-OA1	27.5 x 32 x 4	DH-649-2-2	38.5 x 42 x 3
426-O**	27.5 x 31 x 4.5	DH-370-2-2	31 x 36.5 x 1.5

\*\*Optional Circuit

Non-dimensional interchanges for reference only. In most cases the Thermal Transfer performance is greater than the Karmazin model it replaces. Refer to DH Series for additional information.

# Modine to Thermal Transfer Products

Cross Reference Thermally Interchangeable-Not Dimensionally

CROSS REFERENCE

Air Cooled Aftercoolers			
Modine Model Number	SCFM	Thermal Transfer Model Number	SCFM
AB-128	55	AA-80	65
AB-129	160	AA-150	150
AB-130	270	AA-240	240
AB-131	415	AHP-400	450
AB-132X	500	AHP-725	
AB-062A	340	AA-300	300
AB-064A	450	AHP-400	450
AB-066A	650	AHP-725	640
AB-070A	1000	AHP-950	950
AB-074AF	1240	AHP-1200	1200
AB-076AF	2360	AHP-2500	2500

Combination Oil Cooler and Aftercoolers			
Modine Model Number	Maximum SCFM*	Thermal Transfer Model Number	Maximum SCFM*
		ACOC-400	175
AB-132A-2	350	ACOC-725	300
AB-162A-5	500	ACOC-950	625
AB-166A-5	900	ACOC-1200	800
AB-170A-5	1100	ACOC-1600	1000
AB-074A-5	1400	ACOC-2000	1500
		ACOC-2500	1800
AB-174F-10	2200	ACOC-3000	2125
		ACOC-3500	2350

\*Maximum SCFM at 100 PSI and 15° approach with pressure drop less than 2 PSI

BT Series	
Modine Part Number	Thermal Transfer Model Number
25B1-1	K-508-O
25B2-1	K-512-O
25B3-1	K-514-O
25B4-1	K-518-O
35B1-1	K-708-O
35B1-2	K-708-T
35B2-1	K-712-O
35B2-2	K-712-T
35B3-1	K-714-O
35B3-2	K-714-T
35B4-1	K-718-O
35B4-2	K-718-T
50B2-1	K-1012-O
50B2-2	K-1012-T
50B3-1	K-1014-O
50B3-2	K-1014-T
50B4-1	K-1018-O
50B4-2	K-1018-T
50B5-1	K-1024-O
50B5-2	K-1024-T

Thermal and dimensional interchanges – Service parts also interchangeable

# Young Radiator to Thermal Transfer Products

OCH Series Cross Reference

Exact Thermal and Approximate Dimensional Interchanges

Young Radiator Model Number	Thermal Transfer Model Number
OCH-24	AO-5
OCH-41	AO-10
OCH-55	AO-15
OCH-91	AO-20
OCH-130	AO-25
OCH-174	AO-30
OCH-257	AO-35
OCH-360	AO-40

CROSS REFERENCE

# Young Radiator to Thermal Transfer Products

OCS Series Cross Reference

Thermal Interchanges Only—Not Dimensionally

Young Radiator			Thermal Transfer		
Young Model Number	Piping	Flow Range (GPM)	TTPL Model Number	Piping	Flow Range (GPM)
OCS-175	ONE PASS	10-100	AO-30	ONE PASS	7-90
OCS-300		10-140	AO-40		9-110
OCS-450		15-160	AOVH-40		17-200
OCS-600		20-200	AOL-950*		25-150
OCS-1000		20-300	AOL-1600*		30-150
OCS-1500		25-350	AOL-2000*		30-180
OCS-2000		40-500	AOL-3500*		45-250
OCS-3000		50-500	AOL-3500*		
OCS-175	TWO PASS	5-60	AO-30	TWO PASS	2-40
OCS-300		10-80	AO-40		4-40
OCS-450		15-100	AOVH-40		8-80
OCS-600		25-120	AOL-950*		25-150
OCS-1000		25-140	AOL-1200*	ONE PASS	30-150
OCS-1500		25-140	AOL-1600*		40-200
OCS-2000		30-180	AOL-2500*		45-300
OCS-3000		40-180	AOL-3500*		

AOL Models are available in one pass construction only.

# Young Radiator to Thermal Transfer Products

## F and HF Series Cross Reference

Exact Thermal Interchanges - Approximate Dimensional, Service Parts Not Interchangeable

Young Radiator	Thermal Transfer
Model Number	Model Number
HF-201-HY-1P	B-401-A4-O
HF-202-HY-1P	B-402-A4-O
HF/F-301-HY-1P	B-701-A4-O
HF/F-301-DY-1P	B-701-B4-O
HF/F-301-EY-1P	B-701-C4-O
HF/F-301-HY-2P	B-701-A4-T
HF/F-301-DY-2P	B-701-B4-T
HF/F-301-EY-2P	B-701-C4-T
HF/F-301-HY-4P	B-701-A4-F
HF/F-301-DY-4P	B-701-B4-F
HF/F-301-EY-4P	B-701-C4-F
HF/F-301-HR-1P	B-701-A6-O
HF/F-301-DR-1P	B-701-B6-O
HF/F-301-ER-1P	B-701-C6-O
HF/F-301-HR-2P	B-701-A6-T
HF/F-301-DR-2P	B-701-B6-T
HF/F-301-ER-2P	B-701-C6-T
HF/F-301-HR-4P	B-701-A6-F
HF/F-301-DR-4P	B-701-B6-F
HF/F-301-ER-4P	B-701-C6-F
HF/F-302-HY-1P	B-702-A4-O
HF/F-302-DY-1P	B-702-B4-O
HF/F-302-EY-1P	B-702-C4-O
HF/F-302-AY-2P	B-702-D4-O
HF/F-302-HY-2P	B-702-A4-T
HF/F-302-DY-2P	B-702-B4-T
HF/F-302-EY-2P	B-702-C4-T
HF/F-302-AY-2P	B-702-D4-T
HF/F-302-HY-4P	B-702-A4-F
HF/F-302-DY-4P	B-702-B4-F
HF/F-302-EY-4P	B-702-C4-F
HF/F-302-AY-4P	B-702-D4-F
HF/F-302-HR-1P	B-702-A6-O
HF/F-302-DR-1P	B-702-B6-O
HF/F-302-ER-1P	B-702-C6-O
HF/F-302-AR-1P	B-702-D6-O
HF/F-302-HR-2P	B-702-A6-T
HF/F-302-DR-2P	B-702-B6-T
HF/F-302-ER-2P	B-702-C6-T
HF/F-302-AR-2P	B-702-D6-T
HF/F-302-HR-4P	B-702-A6-F
HF/F-302-DR-4P	B-702-B6-F
HF/F-302-ER-4P	B-702-C6-F
HF/F-302-AR-4P	B-702-D6-F
HF/F-303-HY-1P	B-703-A4-O
HF/F-303-DY-1P	B-703-B4-O
HF/F-303-EY-1P	B-703-C4-O
HF/F-303-AY-1P	B-703-D4-O
HF/F-303-HY-2P	B-703-A4-T
HF/F-303-DY-2P	B-703-B4-T
HF/F-303-EY-2P	B-703-C4-T
HF/F-303-AY-2P	B-703-D4-T
HF/F-303-HY-4P	B-703-A4-F
HF/F-303-DY-4P	B-703-B4-F
HF/F-303-EY-4P	B-703-C4-F
HF/F-303-AY-4P	B-703-D4-F

Young Radiator	Thermal Transfer
Model Number	Model Number
HF/F-303-HR-1P	B-703-A6-O
HF/F-303-DR-1P	B-703-B6-O
HF/F-303-ER-1P	B-703-C6-O
HF/F-303-AR-1P	B-703-D6-O
HF/F-303-HR-2P	B-703-A6-T
HF/F-303-DR-2P	B-703-B6-T
HF/F-303-ER-2P	B-703-C6-T
HF/F-303-AY-2P	B-703-D4-T
HF/F-303-HY-4P	B-703-A4-F
HF/F-303-DY-4P	B-703-B4-F
HF/F-303-EY-4P	B-703-C4-F
HF/F-303-AY-4P	B-703-D4-F
HF/F-303-AR-2P	B-703-D6-T
HF/F-303-HR-4P	B-703-A6-F
HF/F-303-DR-4P	B-703-B6-F
HF/F-303-ER-4P	B-703-C6-F
HF/F-303-AR-4P	B-703-D6-F
HF/F-502-HY-1P	B-1002-A4-O
HF/F-502-DY-1P	B-1002-B4-O
HF/F-502-EY-1P	B-1002-C4-O
HF/F-502-AY-1P	B-1002-D4-O
HF/F-502-HY-2P	B-1002-A4-T
HF/F-502-DY-2P	B-1002-B4-T
HF/F-502-EY-2P	B-1002-C4-T
HF/F-502-AY-2P	B-1002-D4-T
HF/F-502-HY-4P	B-1002-A4-F
HF/F-502-DY-4P	B-1002-B4-F
HF/F-502-EY-4P	B-1002-C4-F
HF/F-502-AY-4P	B-1002-D4-F
HF/F-502-HR-1P	B-1002-A6-O
HF/F-502-DR-1P	B-1002-B6-O
HF/F-502-ER-1P	B-1002-C6-O
HF/F-502-AR-1P	B-1002-D6-O
HF/F-502-HR-2P	B-1002-A6-T
HF/F-502-DR-2P	B-1002-B6-T
HF/F-502-ER-2P	B-1002-C6-T
HF/F-502-AR-2P	B-1002-D6-T
HF/F-502-HR-4P	B-1002-A6-F
HF/F-502-DR-4P	B-1002-B6-F
HF/F-502-ER-4P	B-1002-C6-F
HF/F-502-AR-4P	B-1002-D6-F
HF/F-503-HY-1P	B-1003-A4-O
HF/F-503-DY-1P	B-1003-B4-O
HF/F-503-EY-1P	B-1003-C4-O
HF/F-503-AY-1P	B-1003-D4-O
HF/F-503-HY-2P	B-1003-A4-T
HF/F-503-DY-2P	B-1003-B4-T
HF/F-503-EY-2P	B-1003-C4-T
HF/F-503-AY-2P	B-1003-D4-T
HF/F-503-HY-4P	B-1003-A4-F
HF/F-503-DY-4P	B-1003-B4-F

Young Radiator	Thermal Transfer
Model Number	Model Number
HF/F-503-EY-4P	B-1003-C4-F
HF/F-503-AY-4P	B-1003-D4-F
HF/F-503-HR-1P	B-1003-A6-O
HF/F-503-DR-1P	B-1003-B6-O
HF/F-503-ER-1P	B-1003-C6-O
HF/F-503-AR-1P	B-1003-D6-O
HF/F-503-HR-2P	B-1003-A6-T
HF/F-503-DR-2P	B-1003-B6-T
HF/F-503-ER-2P	B-1003-C6-T
HF/F-503-AR-2P	B-1003-D6-T
HF/F-503-HR-4P	B-1003-A6-F
HF/F-503-DR-4P	B-1003-B6-F
HF/F-503-ER-4P	B-1003-C6-F
HF/F-503-AR-4P	B-1003-D6-F
HF/F-504-HY-1P	B-1004-A4-O
HF/F-504-DY-1P	B-1004-B4-O
HF/F-504-EY-1P	B-1004-C4-O
HF/F-504-AY-1P	B-1004-D4-O
HF/F-504-HY-2P	B-1004-A4-T
HF/F-504-DY-2P	B-1004-B4-T
HF/F-504-EY-2P	B-1004-C4-T
HF/F-504-HR-1P	B-1004-A6-O
HF/F-504-DR-1P	B-1004-B6-O
HF/F-504-ER-1P	B-1004-C6-O
HF/F-504-AR-1P	B-1004-D6-O
HF/F-504-HR-2P	B-1004-A6-T
HF/F-504-DR-2P	B-1004-B6-T
HF/F-504-ER-2P	B-1004-C6-T
HF/F-504-AR-2P	B-1004-D6-T
HF/F-504-HY-4P	B-1004-A4-F
HF/F-504-DY-4P	B-1004-B4-F
HF/F-504-EY-4P	B-1004-C4-F
HF/F-504-AY-4P	B-1004-D4-F
HF/F-504-AR-2P	B-1004-D6-T
HF/F-504-HR-4P	B-1004-A6-F
HF/F-504-DR-4P	B-1004-B6-F
HF/F-504-ER-4P	B-1004-C6-F
HF/F-504-AR-4P	B-1004-D6-F
HF/F-602-HY-1P	B-1202-A4-O
HF/F-602-DY-1P	B-1202-B4-O
HF/F-602-EY-1P	B-1202-C4-O
HF/F-602-AY-1P	B-1202-D4-O
HF/F-602-HY-2P	B-1202-A4-T
HF/F-602-DY-2P	B-1202-B4-T
HF/F-602-EY-2P	B-1202-C4-T
HF/F-602-AY-2P	B-1202-D4-T
HF/F-602-HY-4P	B-1202-A4-F
HF/F-602-DY-4P	B-1202-B4-F
HF/F-602-EY-4P	B-1202-C4-F
HF/F-602-AY-4P	B-1202-D4-F
HF/F-602-HR-1P	B-1202-A6-O

CROSS REFERENCE

# Young Radiator to Thermal Transfer Products

## F and HF Series Cross Reference

Exact Thermal Interchanges - Approximate Dimensional, Service Parts Not Interchangeable

CROSS REFERENCE

Young Radiator Model Number	Thermal Transfer Model Number
HF/F-602-DR-1P	B-1202-B6-O
HF/F-602-ER-1P	B-1202-C6-O
HF/F-602-AR-1P	B-1202-D6-O
HF/F-602-HR-2P	B-1202-A6-T
HF/F-602-DR-2P	B-1202-B6-T
HF/F-602-ER-2P	B-1202-C6-T
HF/F-602-AR-2P	B-1202-D6-T
HF/F-602-HR-4P	B-1202-A6-F
HF/F-602-DR-4P	B-1202-B6-F
HF/F-602-ER-4P	B-1202-C6-F
HF/F-602-A4-4P	B-1202-D6-F
HF/F-603-HY-1P	B-1203-A4-O
HF/F-603-DY-1P	B-1203-B4-O
HF/F-603-EY-1P	B-1203-C4-O
HF/F-603-AY-1P	B-1203-D4-O
HF/F-603-HY-2P	B-1203-A4-T
HF/F-603-DY-2P	B-1203-B4-T
HF/F-603-EY-2P	B-1203-C4-T
HF/F-603-AY-2P	B-1203-D4-T
HF/F-603-HY-4P	B-1203-A4-F
HF/F-603-DY-4P	B-1203-B4-F
HF/F-603-EY-4P	B-1203-C4-F
HF/F-603-AY-4P	B-1203-D4-F
HF/F-603-HR-1P	B-1203-A6-O
HF/F-603-DR-1P	B-1203-B6-O
HF/F-603-ER-1P	B-1203-C6-O
HF/F-603-AR-1P	B-1203-D6-O
HF/F-603-HR-2P	B-1203-A6-T
HF/F-603-DR-2P	B-1203-B6-T
HF/F-603-ER-2P	B-1203-C6-T
HF/F-603-AR-2P	B-1203-D6-T
HF/F-603-HR-4P	B-1203-A6-F
HF/F-603-DR-4P	B-1203-B6-F
HF/F-603-ER-4P	B-1203-C6-F
HF/F-603-AR-4P	B-1203-D6-F
HF/F-604-HY-1P	B-1204-A4-O
HF/F-604-DY-1P	B-1204-B4-O
HF/F-604-EY-1P	B-1204-C4-O
HF/F-604-AY-1P	B-1204-D4-O
HF/F-604-HY-2P	B-1204-A4-T
HF/F-604-DY-2P	B-1204-B4-T
HF/F-604-EY-2P	B-1204-C4-T
HF/F-604-AY-2P	B-1204-D4-T
HF/F-604-HR-1P	B-1204-A6-O
HF/F-604-DR-1P	B-1204-B6-O
HF/F-604-ER-1P	B-1204-C6-O
HF/F-604-AR-1P	B-1204-D6-O
HF/F-604-HR-2P	B-1204-A6-T
HF/F-604-DR-2P	B-1204-B6-T
HF/F-604-ER-2P	B-1204-C6-T
HF/F-604-AY-2P	B-1204-D4-T
HF/F-604-HY-4P	B-1204-A4-F

Young Radiator Model Number	Thermal Transfer Model Number
HF/F-604-DY-4P	B-1204-B4-F
HF/F-604-EY-4P	B-1204-C4-F
HF/F-604-AY-4P	B-1204-D4-F
HF/F-604-AR-2P	B-1204-D6-T
HF/F-604-HR-4P	B-1204-A6-F
HF/F-604-DR-4P	B-1204-B6-F
HF/F-604-ER-4P	B-1204-C6-F
HF/F-604-AR-4P	B-1204-D6-F
HF/F-606-HY-1P	B-1206-A4-O
HF/F-606-DY-1P	B-1206-B4-O
HF/F-606-EY-1P	B-1206-C4-O
HF/F-606-AY-1P	B-1206-D4-O
HF/F-606-HY-2P	B-1206-A4-T
HF/F-606-DY-2P	B-1206-B4-T
HF/F-606-EY-2P	B-1206-C4-T
HF/F-606-AY-2P	B-1206-D4-T
HF/F-606-HY-4P	B-1206-A4-F
HF/F-606-DY-4P	B-1206-B4-F
HF/F-606-EY-4P	B-1206-C4-F
HF/F-606-AY-4P	B-1206-D4-F
HF/F-606-HR-1P	B-1206-A6-O
HF/F-606-DR-1P	B-1206-B6-O
HF/F-606-ER-1P	B-1206-C6-O
HF/F-606-AR-1P	B-1206-D6-O
HF/F-606-HR-2P	B-1206-A6-T
HF/F-606-DR-2P	B-1206-B6-T
HF/F-606-ER-2P	B-1206-C6-T
HF/F-606-AR-2P	B-1206-D6-T
HF/F-606-HR-4P	B-1206-A6-F
HF/F-606-DR-4P	B-1206-B6-F
HF/F-606-ER-4P	B-1206-C6-F
HF/F-606-AR-4P	B-1206-D6-F
HF/F-608-HY-1P	B-1208-A4-O
HF/F-608-DY-1P	B-1208-B4-O
HF/F-608-EY-1P	B-1208-C4-O
HF/F-608-AY-1P	B-1208-D4-O
HF/F-608-HY-2P	B-1208-A4-T
HF/F-608-DY-2P	B-1208-B4-T
HF/F-608-EY-2P	B-1208-C4-T
HF/F-608-AY-2P	B-1208-D4-T
HF/F-608-HY-4P	B-1208-A4-F
HF/F-608-DY-4P	B-1208-B4-F
HF/F-608-EY-4P	B-1208-C4-F
HF/F-608-AY-4P	B-1208-D4-F
HF/F-608-HR-1P	B-1208-A6-O
HF/F-608-DR-1P	B-1208-B6-O
HF/F-608-ER-1P	B-1208-C6-O
HF/F-608-AR-1P	B-1208-D6-O
HF/F-608-HR-2P	B-1208-A6-T
HF/F-608-DR-2P	B-1208-B6-T
HF/F-608-ER-2P	B-1208-C6-T
HF/F-608-AR-2P	B-1208-D6-T
HF/F-608-HR-4P	B-1208-A6-F
HF/F-608-DR-4P	B-1208-B6-F
HF/F-608-ER-4P	B-1208-C6-F
HF/F-608-AR-4P	B-1208-D6-F

Young Radiator Model Number	Thermal Transfer Model Number
HF/F-608-AR-2P	B-1208-D6-T
HF/F-608-HR-4P	B-1208-A6-F
HF/F-608-DR-4P	B-1208-B6-F
HF/F-608-ER-4P	B-1208-C6-F
HF/F-608-AR-4P	B-1208-D6-F
HF-802-HR-1P	B-1602-A6-O
HF-802-DR-1P	B-1602-B6-O
HF-802-ER-1P	B-1602-C6-O
HF-802-AR-1P	B-1602-D6-O
HF-802-HR-2P	B-1602-A6-T
HF-802-DR-2P	B-1602-B6-T
HF-802-ER-2P	B-1602-C6-T
HF-802-AR-2P	B-1602-D6-T
HF-802-HR-4P	B-1602-A6-F
HF-802-DR-4P	B-1602-B6-F
HF-802-ER-4P	B-1602-C6-F
HF-802-AR-4P	B-1602-D6-F
HF-803-HR-1P	B-1603-A6-O
HF-803-DR-1P	B-1603-B6-O
HF-803-ER-1P	B-1603-C6-O
HF-803-AR-1P	B-1603-D6-O
HF-803-HR-2P	B-1603-A6-T
HF-803-DR-2P	B-1603-B6-T
HF-803-ER-2P	B-1603-C6-T
HF-803-AR-2P	B-1603-D6-T
HF-803-HR-4P	B-1603-A6-F
HF-803-DR-4P	B-1603-B6-F
HF-803-ER-4P	B-1603-C6-F
HF-803-AR-4P	B-1603-D6-F
HF-804-HR-1P	B-1604-A6-O
HF-804-DR-1P	B-1604-B6-O
HF-804-ER-1P	B-1604-C6-O
HF-804-AR-1P	B-1604-D6-O
HF-804-HR-2P	B-1604-A6-T
HF-804-DR-2P	B-1604-B6-T
HF-804-ER-2P	B-1604-C6-T
HF-804-AR-2P	B-1604-D6-T
HF-804-HR-4P	B-1604-A6-F
HF-804-DR-4P	B-1604-B6-F
HF-804-ER-4P	B-1604-C6-F
HF-804-AR-4P	B-1604-D6-F
HF-805-DR-1P	B-1605-B6-O
HF-805-ER-1P	B-1605-C6-O
HF-805-AR-1P	B-1605-D6-O
HF-805-TR-1P	B-1605-E6-O
HF-805-DR-2P	B-1605-B6-T
HF-805-ER-2P	B-1605-C6-T
HF-805-AR-2P	B-1605-D6-T
HF-805-TR-2P	B-1605-E6-T
HF-805-DR-4P	B-1605-B6-F
HF-805-ER-4P	B-1605-C6-F



# Young Radiator to Thermal Transfer Products

## F and HF Series Cross Reference

Exact Thermal Interchanges - Approximate Dimensional, Service Parts Not Interchangeable

Young Radiator	Thermal Transfer
Model Number	Model Number
HF-805-AR-4P	B-1605-D6-F
HF-805-TR-4P	B-1605-E6-F
HF-806-DR-1P	B-1606-B6-O
HF-806-ER-1P	B-1606-C6-O
HF-806-AR-1P	B-1606-D6-O
HF-806-TR-1P	B-1606-E6-O
HF-806-DR-2P	B-1606-B6-T
HF-806-ER-2P	B-1606-C6-T
HF-806-AR-2P	B-1606-D6-T
HF-806-TR-2P	B-1606-E6-T
HF-806-DR-4P	B-1606-B6-F
HF-806-ER-4P	B-1606-C6-F
HF-806-AR-4P	B-1606-D6-F
HF-806-TR-4P	B-1606-E6-F
HF-808-DR-1P	B-1608-B6-O
HF-808-ER-1P	B-1608-C6-O
HF-808-AR-1P	B-1608-D6-O
HF-808-TR-1P	B-1608-E6-O
HF-808-DR-2P	B-1608-B6-T
HF-808-ER-2P	B-1608-C6-T
HF-808-AR-2P	B-1608-D6-T
HF-808-TR-2P	B-1608-E6-T
HF-808-DR-4P	B-1608-B6-F
HF-808-ER-4P	B-1608-C6-F
HF-808-AR-4P	B-1608-D6-F
HF-808-TR-4P	B-1608-E6-F
HF-810-DR-1P	B-1610-B6-O
HF-810-ER-1P	B-1610-C6-O
HF-810-AR-1P	B-1610-D6-O
HF-810-TR-1P	B-1610-E6-O
HF-810-DR-2P	B-1610-B6-T
HF-810-ER-2P	B-1610-C6-T
HF-810-AR-2P	B-1610-D6-T
HF-810-TR-2P	B-1610-E6-T
HF-810-DR-4P	B-1610-B6-F
HF-810-ER-4P	B-1610-C6-F
HF-810-AR-4P	B-1610-D6-F
HF-810-TR-4P	B-1610-E6-F
F-1005-AR-1P	B-2005-D6-O
F-1005-TR-1P	B-2005-E6-O
F-1005-AR-2P	B-2005-D6-T
F-1005-TR-2P	B-2005-E6-T
F-1005-AR-4P	B-2005-D6-F
F-1005-TR-4P	B-2005-E6-F
F-1005-AC-1P	B-2005-D10-O
F-1005-TC-1P	B-2005-E10-O
F-1005-AC-2P	B-2005-D10-T
F-1005-TC-2P	B-2005-E10-T
F-1005-AC-4P	B-2005-D10-F
F-1005-TC-4P	B-2005-E10-F
F-1006-AR-1P	B-2006-D6-O

Young Radiator	Thermal Transfer
Model Number	Model Number
F-1006-TR-1P	B-2006-E6-O
F-1006-AR-2P	B-2006-D6-T
F-1006-TR-2P	B-2006-E6-T
F-1006-AR-4P	B-2006-D6-F
F-1006-TR-4P	B-2006-E6-F
F-1006-AC-1P	B-2006-D10-O
F-1006-TC-1P	B-2006-E10-O
F-1006-AC-2P	B-2006-D10-T
F-1006-TC-2P	B-2006-E10-T
F-1006-AC-4P	B-2006-D10-F
F-1006-TC-4P	B-2006-E10-F
F-1008-AR-1P	B-2008-D6-O
F-1008-TR-1P	B-2008-E6-O
F-1008-AR-2P	B-2008-D6-T
F-1008-TR-2P	B-2008-E6-T
F-1008-AR-4P	B-2008-D6-F
F-1008-TR-4P	B-2008-E6-F
F-1008-AC-1P	B-2008-D10-O
F-1008-TC-1P	B-2008-E10-O
F-1008-AC-2P	B-2008-D10-T
F-1008-TC-2P	B-2008-E10-T
F-1008-AC-4P	B-2008-D10-F
F-1008-TC-4P	B-2008-E10-F
F-1010-AR-1P	B-2010-D6-O
F-1010-TR-1P	B-2010-E6-O
F-1010-AR-2P	B-2010-D6-T
F-1010-TR-2P	B-2010-E6-T
F-1010-AR-4P	B-2010-D6-F
F-1010-TR-4P	B-2010-E6-F
F-1010-AC-1P	B-2010-D10-O
F-1010-TC-1P	B-2010-E10-O
F-1010-AC-2P	B-2010-D10-T
F-1010-TC-2P	B-2010-E10-T
F-1010-AC-4P	B-2010-D10-F
F-1010-TC-4P	B-2010-E10-F

**For more information or to purchase these products, please contact:**

**HYDROTHRIFT CORPORATION  
(800) 772-0493**

[www.hydrothrift.com](http://www.hydrothrift.com)  
[sales@hydrothrift.com](mailto:sales@hydrothrift.com)

CROSS REFERENCE