



AC30

Brazed plate heat exchanger with single circuit for AC

The AC30 is designed for air conditioning and refrigeration applications. It's a single-refrigerant-circuit plate heat exchanger developed for AC chillers operating with cooling capacity from 3-30 kW.

The unique plate design from Alfa Laval will enable highest performance with both R407C and R410A refrigerants. Thus, the AC30 will make it possible to achieve significant improvement of COP in the chiller. The energy consumption to cool your environment will also decrease.

AC30 is a result of our long term corporate mission: To improve the performance of our customers processes, time and time again.

Possible applications:

- Evaporator/condenser in chiller and heat pump
- Total heat recover in chiller
- Liquid cooler in direct system

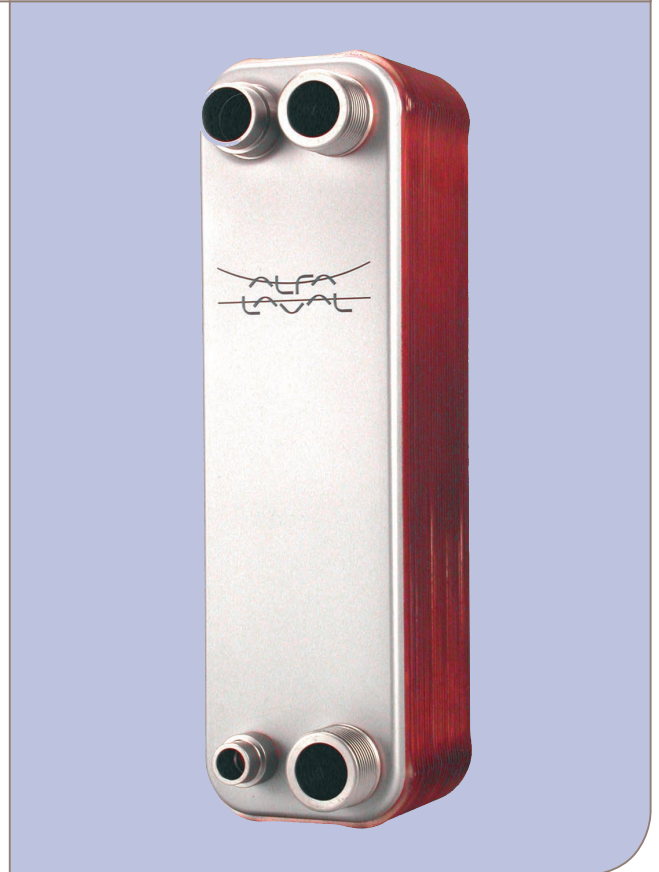
AC30 has a patented, fully-integrated distribution system. It's pressed together with the plates to provide a high, constant heat exchange performance.

AC30 comply with all main pressure vessel standards, such as CE, UL and KHK.

Advantages of brazed plate heat exchangers in Industry and HVAC&R

The Alfa Laval Brazed plate heat exchangers (BHE) have several advantages over traditional heat exchangers in Industrial and HVAC&R applications:

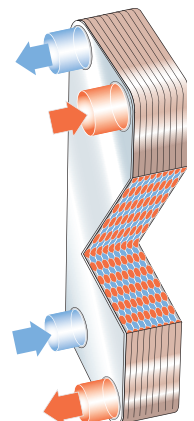
- The high heat transfer efficiency of the BHE makes it extremely compact and also easy to install in places where space is limited.
- The unit has no gaskets and is therefore suitable in applications where temperature and/or pressure is high.
- The Alfa Laval supply system reassures that, no matter where you are in the world, the BHE units are available with a very short delivery time.



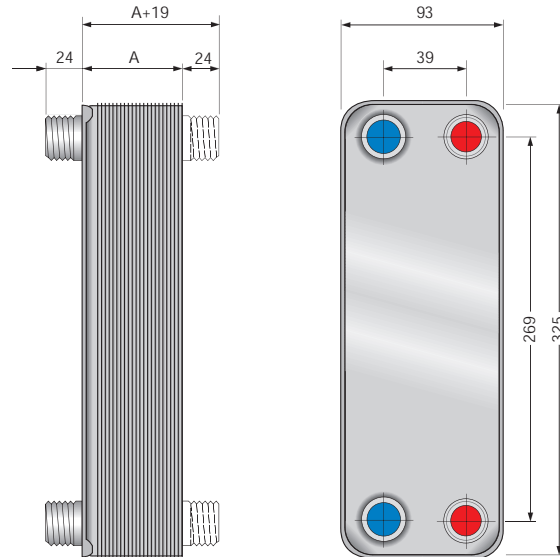
Particulars required for quotation

To enable Alfa Laval's representative to make a specific quotation, enquiries should be accompanied by the following particulars:

- flow rates or heat load required
- inlet and outlet temperature
- physical properties of liquids or media
- desired working pressure
- maximum permitted brine pressure drop
- connection types



Flow principle of a brazed plate heat exchanger



Dimensions in mm

General Data

Design temperature	-50°C / +150°C
Design pressure:	
ACH30	4.5 MPa
AC30	3.2 MPa
Volume per channel	0.028 dm ³
Maximum flow rate (brine side)	8 m ³ /h

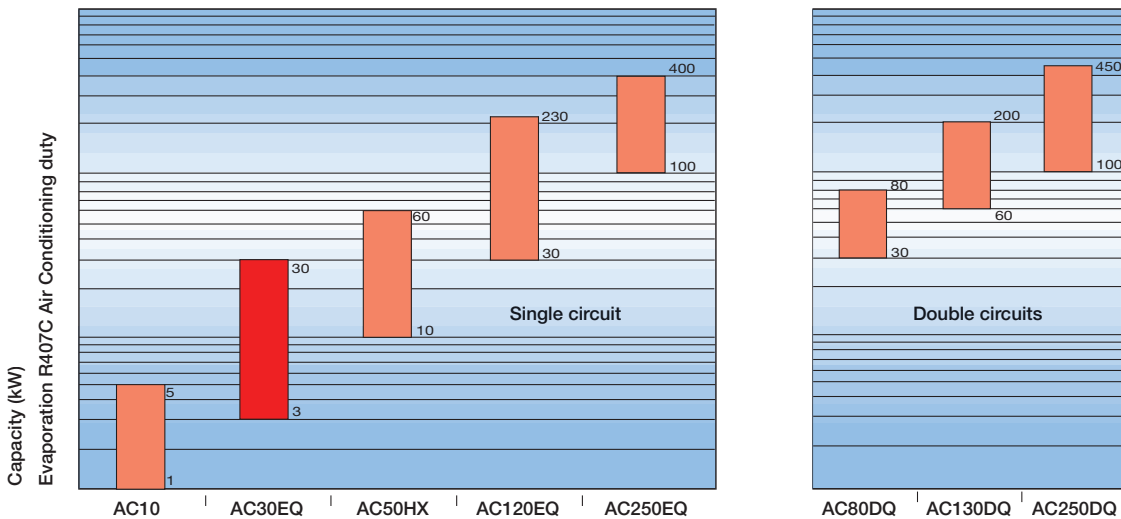
Standard Connections

Water/brine side	S1-S2-T1-T2: 1" BSP
Refrigerant side	S3: 1/2", 5/8"
	S4: 7/8", 1 1/8"

Dimensions

A = 9 + n x 1.5 (mm)
 Weight = 1.0 + n x 0.09 (kg)
 (n = number of plates)

Alfa Laval Brazen Plate Heat Exchangers Range



For more information or to purchase these products, please contact:
HYDROTHRIFT CORPORATION
 1-800-773-0493
www.hydrothrift.com
sales@hydrothrift.com