

# Alfa Laval T5

## Gasketed plate heat exchanger for a wide range of applications

### Introduction

Alfa Laval Industrial line is a wide product range that is used in virtually all types of industry.

Suitable for a wide range of applications, this model is available with a large selection of plate and gasket types.

### Applications

- Biotech and Pharmaceutical
- Chemicals
- Energy and Utilities
- Food, Dairy and Beverages
- Home and Personal care
- HVAC and Refrigeration
- Machinery and Manufacturing
- Marine and Transportation
- Mining, Minerals and Pigments
- Pulp and Paper
- Semiconductor and Electronics
- Steel
- Water and Waste treatment

### Benefits

- High energy efficiency – low operating cost
- Flexible configuration – heat transfer area can be modified
- Easy to install – compact design
- High serviceability – easy to open for inspection and cleaning and easy to clean by CIP
- Access to Alfa Laval's global service network

### Features

Every detail is carefully designed to ensure optimal performance, maximum uptime and easy maintenance. Selection of available features, depending on configuration some features may not be applicable:



- Corner guided alignment system
- Clip-on gasket
- Offset gasket groove
- Leak chamber
- Fixed bolt head
- Key hole bolt opening
- Lifting lug
- Lining



- Lock washer
- Tightening bolt cover

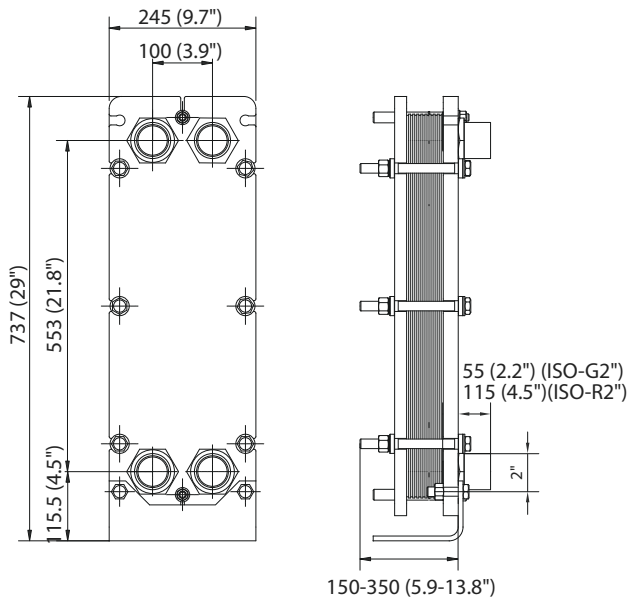
### Alfa Laval 360° Service Portfolio

Our extensive service offering ensure top performance from your Alfa Laval equipment throughout its life cycle. The Alfa Laval 360 Service Portfolio include installation services, cleaning and repair as well as spare parts, technical documentation and trouble shooting. We also offer replacement, retrofit, integrity testing, monitoring and much more.

For information about our complete service offering and how to contact us - please visit [www.alfalaval.com/service](http://www.alfalaval.com/service).

## Dimensional drawing

Measurements mm (inches)



## Connections

### General remarks for technical information

- The global offering presented in this leaflet may not be available for all regions
- All combinations may not be configurable

## Technical data

Plates	Type	Free channel, mm (inches)
B	Single plate	1.8 (0.07)
M	Single plate	2.9 (0.11)

### Materials

Heat transfer plates	304/304L, 316/316L Ti
Field gaskets	NBR, EPDM
Flange connections	Rubber lined: NBR
Pipe connections	Stainless steel, titanium
Frame and pressure plate	Carbon steel, epoxy painted

Other materials may be available on request.

## Operational data

Frame type	Max. design pressure barg (psig)	Max. design temperature °C (°F)
FG, pvcALS	16.0 (232)	180 (356)
FG, ASME	10.3 (150)	180 (356)
FG, PED	16.0 (232)	160 (320)

Extended pressure and temperature rating may be available on request.



HydroThrift Corporation

1301 Sanders Ave SW

Massillon, OH 44647 USA

[sales@hydrothrift.com](mailto:sales@hydrothrift.com) 330-837-5141

This document and its contents are subject to copyrights and other intellectual property rights owned by Alfa Laval AB (publ) or any of its affiliates (jointly "Alfa Laval"). No part of this document may be copied, re-produced or transmitted in any form or by any means, or for any purpose, without Alfa Laval's prior express written permission. Information and services provided in this document are made as a benefit and service to the user, and no representations or warranties are made about the accuracy or suitability of this information and these services for any purpose. All rights are reserved.

### How to contact Alfa Laval

Up-to-date Alfa Laval contact details for all countries are always available on our website at [www.alfalaval.com](http://www.alfalaval.com)